

BABY DRILL

The best solution for drilling in narrow spaces with limited headroom and for easy transport

TECHNICAL DATA	
Diesel engine	28,8 KW - 2400 rpm*
Hydraulic system	2 pump 34,8 + 34,8 l/min / 9,19 + 9,19 gal/min
Hydraulic tank	70 l / 18,48 gal
Fuel tank	48 l / 12,67 gal
Main winch	2.500 daN / 5.625 lbs
Service winch	1000 daN / 2250 lbs
Rotary torque - bored piles - micropiles	1750 daNm / 12897,5 lbsft 750 daN (0-50.6 rpm)
Rotary Pulldown - bored piles - micropiles	4000 daNm / 29480 lbsft 2500 daNm / 18425 lbsft
Double hydraulic vice -micropiles	50 - 200 mm / 1,97 - 7,87 in
Crawler width	variable: 1000 - 1500 mm / 39,37 - 59,06 in Shoe 300 mm / 11,81 in
Remote-controlled machine with dismountable Power Pack	

*upon request with 30 KW electric motor



WORK CHARACTERISTICS	
Diameters	400 - 600 mm / 15,75 - 23,62 in Special version available for 300 - 600 mm / 11,81 - 23,62 in
Telescopic mast height	Min 2500 mm - 98,43 in Max 3750 mm / 147,64 in (without mast extension)
Minimum height during rig moving	Min 2050 mm / 78,74 in (without mast extension)
Working width	Min 1000 - 1500 mm / 39,37 - 59,06 in (by expandible track)
Max depth (standard version)	12 m (8 x 1,8) / 39,36 ft (26,24 x 5,90) Kelly 15 m (6 x 2,9) / 49,20 ft (19,68 x 9,51) with mast extension 1,1 m / 3,61 ft
Weight (approx)	5400 Kg / 11901,60 lbs



MAIT S.p.a., as a major manufacturer of boring rigs with 50 years of experience, has professionally tackled the issue of performing full size bored piles in areas with difficult access or headroom problems.

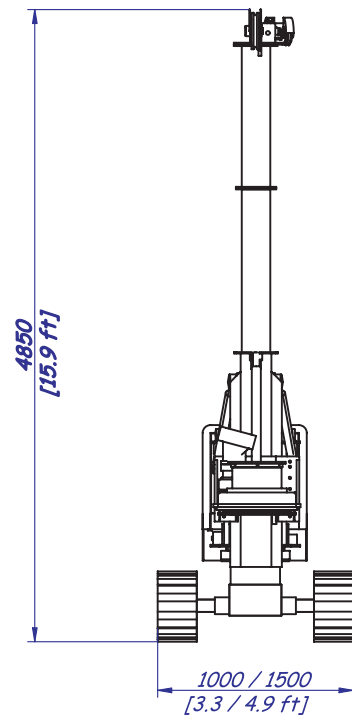
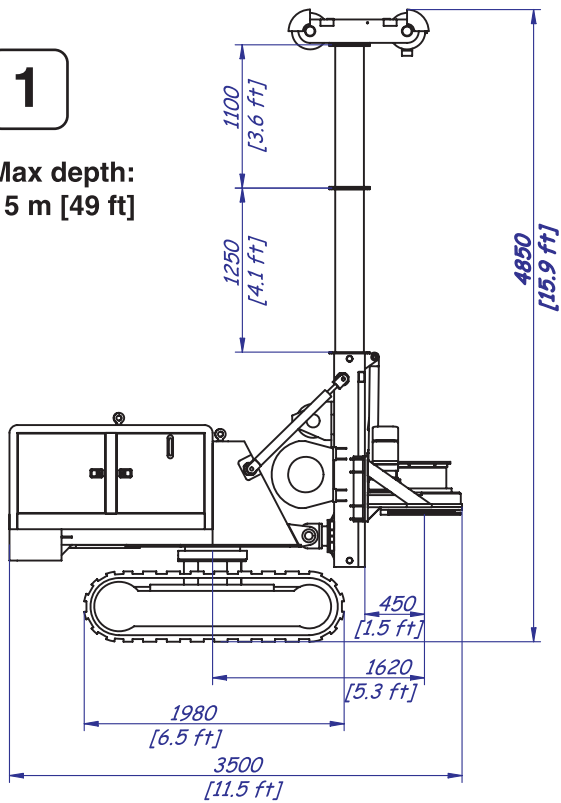
For this purpose MAIT has designed a rig with very exclusive features, like radio-control, expandible tracks and removable power pack.

Telescopic kelly-bar system ensures highest drilling speed.



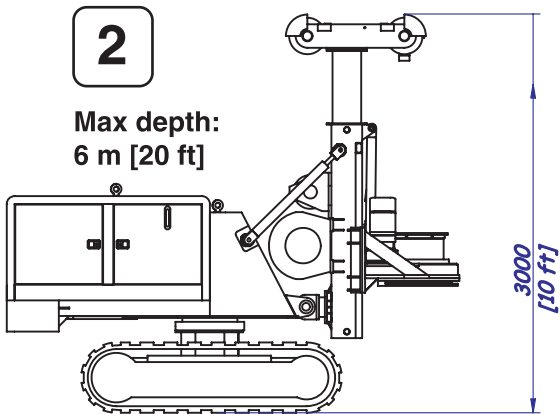
1

Max depth:
15 m [49 ft]



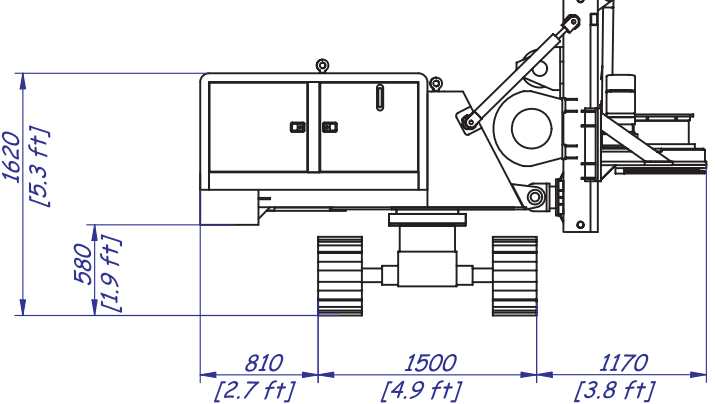
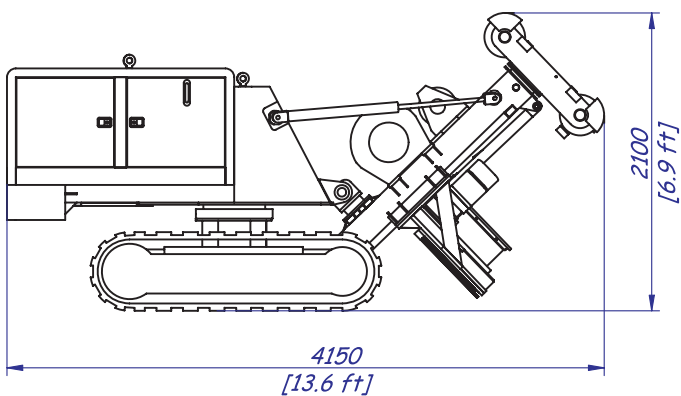
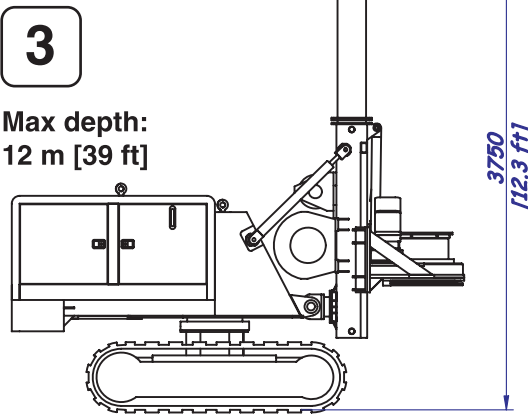
2

Max depth:
6 m [20 ft]



3

Max depth:
12 m [39 ft]



06/2005 All technical data indicated are to be considered as approximate. MAIT reserves the right to modify them opportunistly. All numbers have been rounded and are approximate

MAIT S.p.A MACCHINE INDUSTRIALI TRIVELLATRICI

Via Flaminia Seconda n° 149/153 ♦ P.O.Box 1040 ♦ 60027 OSIMO (AN) ITALIA

TEL. ++39 - 71 - 7822186 (12 linee ric. aut.) ♦ FAX ++39 - 71 - 780535

Web: <http://www.mait.it> ♦ E-mail: info@mait.it

