

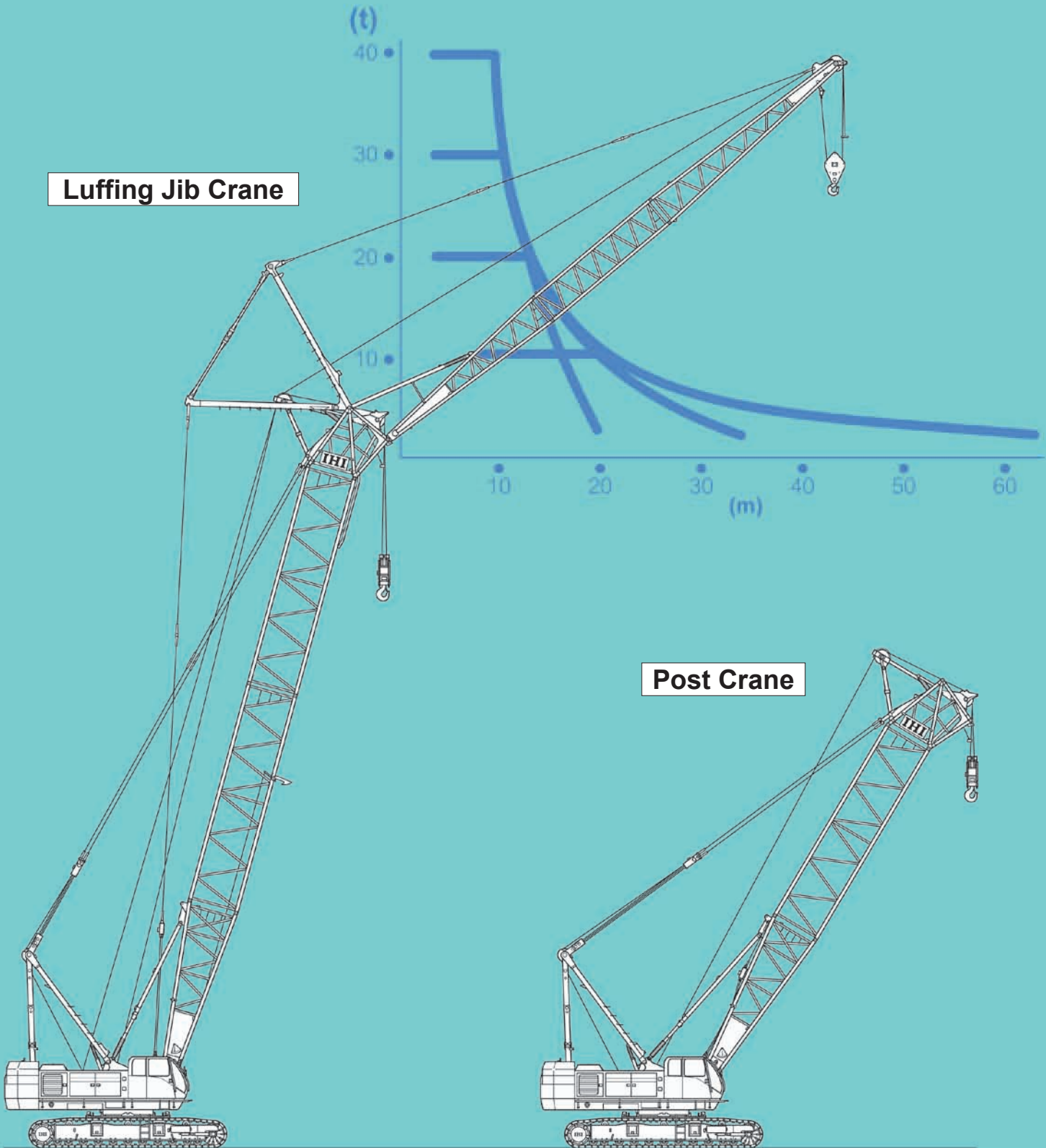
CCH 1200

Fully Hydraulic Crawler Crane

Lifting capacity 120 metric tons



Luffing Jib Crane



Post Crane

Note:

Main and Jib hook blocks may not be operated simultaneously.

Specifications

Max. Lifting capacity x working radius	120 metric tons x 5.0m	
Max. boom length	75m	
Max. boom length, (main + jib)	88m (63m boom+25m jib)	
Rope speed	Main drum hoist/lowering	* 100~50/50~25 m/min
	Aux. drum hoist/lowering	* 100~50/50~25 m/min
	Boom drum hoist/lowering	* 60~30 m/min
Part line	Hook block capacity x Part line	120ton x 10
	Hook block capacity x Part line	11ton x 1
	Boom drum hoist/lowering part line	14
Counterweight	50ton	
Total operating weight (with 18m boom)	121.5ton (Approx.)	
Average ground bearing pressure	0.92kgf/cm ²	

* The rope speed changes depending on the load.

Combination of Boom and Jib (●: Available combination)

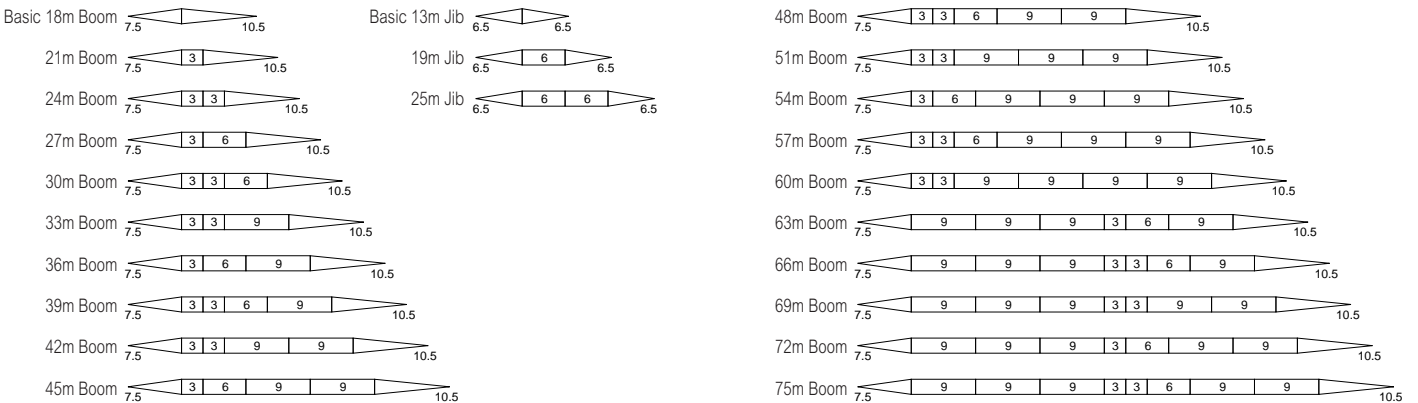
Jib length (m)	Boom length (m)																	
	18-24	27	30	33	36	39	42	45	48	51	54	57	60	63	66	69	72	75
Auxiliary	☒	☒	●	●	●	●	●	●	●	●	●	●	●	●	●	●	●	●
13	☒	☒	☒	●	●	●	●	●	●	●	●	●	●	●	●	●	●	●
19	☒	☒	☒	●	●	●	●	●	●	●	●	●	●	●	●	●	●	●
25	☒	☒	☒	●	●	●	●	●	●	●	●	●	●	●	●	●	●	●

Wire rope

Place of use	Rope diameter (mm)	Guaranteed strength (ton)	Rope type
Load hoist	☒ φ 26	61.0	A
Boom hoist	☒ φ 22	36.3	B
Boom suspension	☒ φ 31.5	74.9	C
Jib load hoist	☒ φ 26	61.0	A
Jib Boom suspension	☒ φ 28	59.3	C
Jib strut suspension	☒ φ 28	59.3	C

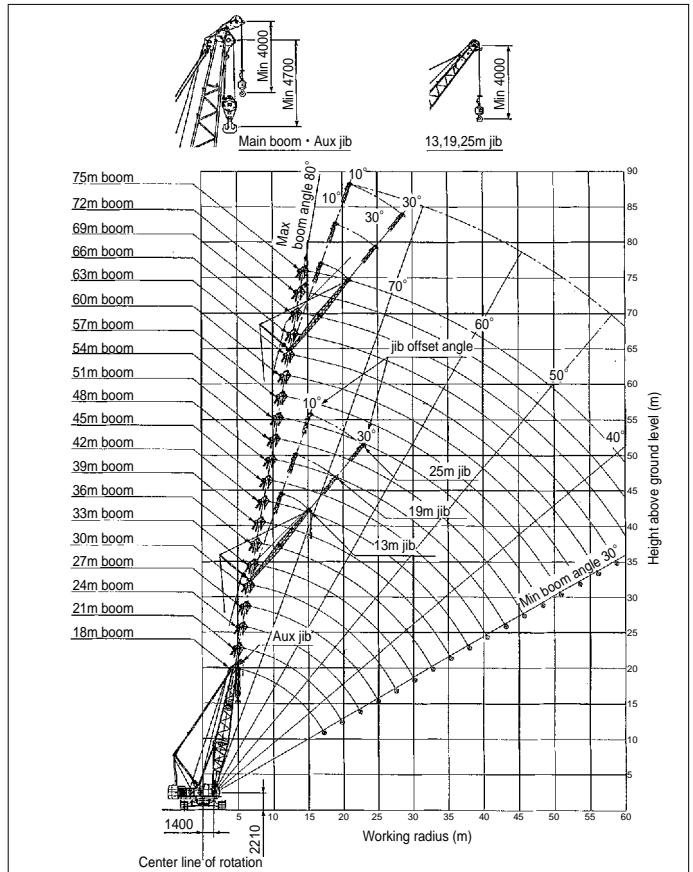
Rope type A: PS(19)+39 x P-7
 B: IWRC 6 x WS(31)
 C: IWRC 6 x Fi(29)

Boom & Jib combination



Note: 1. Compositions shown are for maximum length at time of delivery.
 2. Required middle suspension for boom length 63m and longer.
 3. Boom can be converted into a post for tower crane operation by replacing top section.

Working range (No load condition)



■ Main boom rated lifting loads

(Unit: metric ton)

Boom length (m) Working radius (m)	18.0	21.0	24.0	27.0	30.0	33.0	36.0	39.0	42.0	45.0	48.0	51.0	54.0	57.0	60.0	63.0	66.0	69.0	72.0	75.0	
5.0	120.0																				
5.5	106.7	90.0																			
6.0	97.0	90.0	80.0	70.0																	
7.0	83.3	81.2	75.0	7.2m x 70.0	7.1m x 60.0	7.6m x 50.0															
8.0	71.7	71.5	67.5	64.0	60.0	50.0	8.1m x 50.0	8.6m x 40.0													
9.0	60.6	60.0	59.7	57.5	54.1	49.5m x 50.0	50.0	40.0	9.2m x 40.0	9.7m x 40.0											
10.0	51.8	51.6	51.5	51.0	48.8	47.4	46.0	11.3m x 40.0	11.2m x 40.0	11.0m x 40.0	10.2m x 30.0	10.7m x 30.0	11.2m x 28.3	11.8m x 28.1							
12.0	40.6	40.4	40.3	40.2	40.0	39.2	38.4	37.8	37.5	37.1	30.0	30.0	28.3	28.1	12.3m x 20.0	12.8m x 20.0	13.3m x 19.0	13.8m x 16.0			
14.0	32.9	32.7	32.6	32.5	32.3	32.2	32.1	31.9	31.8	31.7	14.1m x 30.0	30.0	28.3	28.1	20.0	20.0	19.0	16.0	14.4m x 14.5	14.9m x 13.0	
16.0	27.6	27.4	27.3	27.2	27.0	26.9	26.8	26.6	26.5	26.4	26.3	26.2	25.1	24.9	20.0	17.4m x 20.0	19.0	16.0	14.5	13.0	
18.0	17.2m x 25.1	23.4	23.3	23.2	23.0	22.9	22.8	22.6	22.5	22.4	22.3	22.2	22.0	21.9	20.0	19.2	17.9	16.0	14.5	13.0	
20.0		19.7m x 20.8	20.2	20.1	19.9	19.8	19.7	19.5	19.4	19.3	19.2	19.1	18.9	18.8	18.2	17.5	16.7	15.2	13.6	11.6	
22.0			17.8	17.7	17.5	17.4	17.3	17.1	17.0	16.9	16.8	16.7	16.5	16.4	16.3	15.8	15.3	14.2	12.6	10.4	
24.0			22.3m x 17.5	15.8	15.6	15.5	15.4	15.2	15.1	15.0	14.9	14.8	14.6	14.5	14.4	14.2	13.8	13.0	11.6	9.4	
26.0				24.9m x 15.0	13.9	13.8	13.7	13.5	13.4	13.3	13.2	13.1	12.9	12.8	12.7	12.5	12.3	11.9	10.5	8.4	
28.0					27.5m x 12.9	12.5	12.4	12.2	12.1	12.0	11.9	11.8	11.6	11.5	11.4	11.2	11.0	10.9	9.6	7.6	
30.0						11.3	11.2	11.0	10.9	10.8	10.7	10.6	10.4	10.3	10.2	10.0	9.8	9.7	8.7	6.9	
32.0						30.1m x 11.2	10.2	10.0	9.9	9.8	9.7	9.6	9.4	9.3	9.2	9.0	8.8	8.6	7.8	6.2	
34.0							32.7m x 9.9	9.1	9.0	8.9	8.8	8.7	8.5	8.4	8.3	8.1	7.9	7.6	7.1	5.5	
36.0								35.3m x 8.6	8.2	8.1	8.0	7.9	7.7	7.6	7.5	7.3	7.1	6.7	6.4	5.0	
38.0									37.9m x 7.6	7.4	7.3	7.2	7.0	6.9	6.8	6.6	6.4	5.9	5.7	4.4	
40.0										6.8	6.7	6.6	6.4	6.3	6.2	6.0	5.8	5.2	5.0	3.9	
42.0										40.5m x 6.7	6.2	6.1	5.9	5.8	5.7	5.5	5.3	4.6	4.4	3.5	
44.0											43.1m x 5.9	5.6	5.4	5.3	5.2	5.0	4.8	4.2	3.9	3.0	
46.0												45.7m x 5.2	4.9	4.8	4.7	4.5	4.3	3.7	3.4	2.6	
48.0													4.5	4.4	4.3	4.1	3.8	3.2	2.9	2.2	
50.0													48.3m x 4.5	4.0	3.9	3.7	3.4	2.8	2.4	2.2	
52.0														50.9m x 3.9	3.6	3.4	2.9	2.4	2.0	2.0	
54.0															53.5m x 3.4	3.1	2.5	2.0	2.0	2.0	

Notes

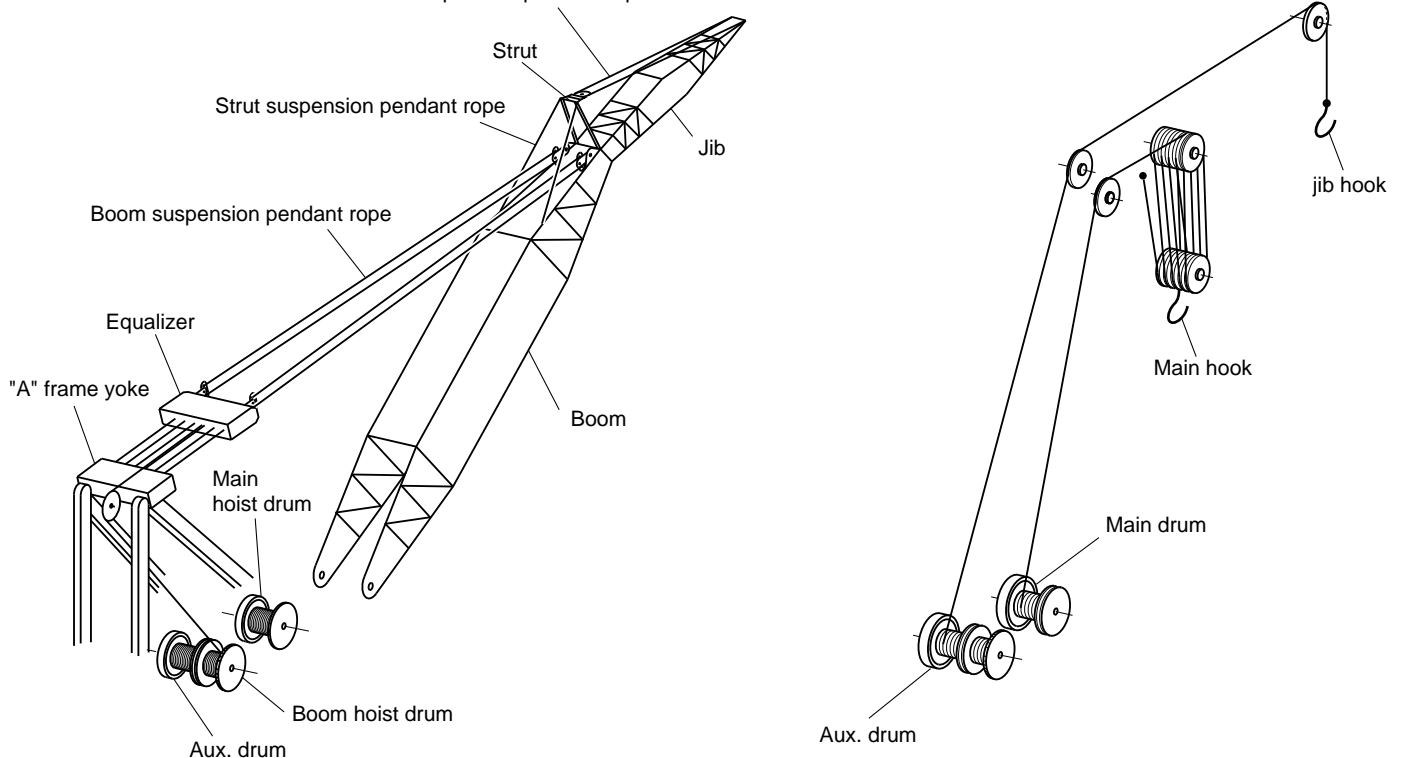
- Above rated loads are based on firm level ground, within 78% of tipping load at any point 360° throughout and with front stability of 1.15 or more.
- Working radius is horizontal distance from center of rotation to a vertical line through the center of gravity of the load.
- The weight of the slings, hook block(s) and auxiliary lifting devices must be considered to be a part of the load.
Hook block
120ton capacity...1.60ton 60ton capacity...1.15ton
50ton capacity...0.95ton 30ton capacity...0.75ton
11ton capacity...0.40ton
- Jib boom can be fitted to main boom in the following combinations.

Jib length(m)	Auxiliary	13.0	19.0	25.0
Boom length(m)	18.0~72.0	30.0~63.0	30.0~63.0	30.0~63.0
- When jib boom is fitted actual loads that can be lifted with main hook block should be reduced according to the above chart (the weights include that of the auxiliary hook block).

Jib length(m)	Auxiliary	13.0	19.0	25.0
Weight to be deducted(ton)	0.70	2.80	3.30	3.90
- High "A" Frame should be extended before working.
- The rated loads for the Auxiliary jib must be reduced 0.7 ton from same radius of rated lifting loads of the main boom which installed the jib.
The rated loads for the 13m jib~25m jib are same as main boom's one which installed jib.(Ref Jib rated lifting loads)
However do not exceed below limit.

Jib length(m)	Auxiliary	13.0		19.0		25.0	
Jib offset angle	—	10°	30°	10°	30°	10°	30°
Limited loads (ton)	11.0	11.0	8.5	10.0	6.5	6.5	4.5
- The rated load for Jib when the main hook is installed must be reduced by the total weight of the main hook and jib hook.
- Depending on the number of part lines, rated lifting load is limited as follows:
1Part line.....up to 12ton 2Part line.....up to 24ton
3Part line.....up to 36ton 4Part line.....up to 48ton
5Part line.....up to 60ton 6Part line.....up to 72ton
7Part line.....up to 84ton 8Part line.....up to 96ton
9Part line.....up to 108ton 10Part line.....up to 120ton
- Rated loads shown in bold lines are based on structural strength factors.

Jib suspension pendant rope



Auxiliary jib rated lifting loads

(Unit:metric ton)

Boom length (m)	18.0	21.0	24.0	27.0	30.0	33.0	36.0	39.0	42.0	45.0	48.0	51.0	54.0	57.0	60.0	63.0	66.0	69.0	72.0
Working radius (m)	18.0	21.0	24.0	27.0	30.0	33.0	36.0	39.0	42.0	45.0	48.0	51.0	54.0	57.0	60.0	63.0	66.0	69.0	72.0
5.5	5.7m x 11.0																		
6.0	11.0	6.2m x 11.0	6.7m x 11.0																
7.0	11.0	11.0	11.0	7.2m x 11.0	7.8m x 11.0														
8.0	11.0	11.0	11.0	11.0	11.0	8.3m x 11.0	8.8m x 11.0												
9.0	11.0	11.0	11.0	11.0	11.0	11.0	11.0	9.3m x 11.0	9.8m x 11.0										
10.0	11.0	11.0	11.0	11.0	11.0	11.0	11.0	11.0	11.0	10.4m x 11.0	10.9m x 11.0	11.4m x 11.0	11.9m x 11.0						
12.0	11.0	11.0	11.0	11.0	11.0	11.0	11.0	11.0	11.0	11.0	11.0	11.0	11.0	12.5m x 11.0	13.0m x 11.0	13.5m x 11.0			
14.0	11.0	11.0	11.0	11.0	11.0	11.0	11.0	11.0	11.0	11.0	11.0	11.0	11.0	11.0	11.0	11.0	11.0	14.5m x 11.0	
16.0	11.0	11.0	11.0	11.0	11.0	11.0	11.0	11.0	11.0	11.0	11.0	11.0	11.0	11.0	11.0	11.0	11.0	11.0	15.1m x 11.0
18.0	11.0	11.0	11.0	11.0	11.0	11.0	11.0	11.0	11.0	11.0	11.0	11.0	11.0	11.0	11.0	11.0	11.0	11.0	11.0
20.0	18.5m x 11.0	11.0	11.0	11.0	11.0	11.0	11.0	11.0	11.0	11.0	11.0	11.0	11.0	11.0	11.0	11.0	11.0	11.0	11.0
22.0		21.1m x 11.0	11.0	11.0	11.0	11.0	11.0	11.0	11.0	11.0	11.0	11.0	11.0	11.0	11.0	11.0	11.0	11.0	11.0
24.0			23.7m x 11.0	11.0	11.0	11.0	11.0	11.0	11.0	11.0	11.0	11.0	11.0	11.0	11.0	11.0	11.0	11.0	23.8m x 11.0
26.0				11.0	11.0	11.0	11.0	11.0	11.0	11.0	11.0	11.0	11.0	27.7m x 11.0	27.6m x 11.0	27.4m x 11.0	27.1m x 11.0	26.9m x 11.0	26.4m x 11.0
28.0				26.3m x 11.0	11.0	29.2m x 11.0	29.0m x 11.0	28.7m x 11.0	28.5m x 11.0	28.4m x 11.0	28.2m x 11.0	11.0	10.9	10.8	10.7	10.5	10.3	10.2	8.9
30.0					28.9m x 11.0	10.6	10.5	10.3	10.2	10.1	10.0	9.9	9.7	9.6	9.5	9.3	9.1	9.0	8.0
32.0						31.5m x 9.8	9.5	9.3	9.2	9.1	9.0	8.9	8.7	8.6	8.5	8.3	8.1	7.9	7.1
34.0							8.6	8.4	8.3	8.2	8.1	8.0	7.8	7.7	7.6	7.4	7.2	6.9	6.4
36.0								7.6	7.5	7.4	7.3	7.2	7.0	6.9	6.8	6.6	6.4	6.0	5.7
38.0								36.6m x 7.4	6.8	6.7	6.6	6.5	6.3	6.2	6.1	5.9	5.7	5.2	5.0
40.0									39.2m x 6.4	6.1	6.0	5.9	5.7	5.6	5.5	5.3	5.1	4.5	4.3
42.0										41.8m x 5.6	5.5	5.4	5.2	5.1	5.0	4.8	4.6	3.9	3.7
44.0											5.0	4.9	4.7	4.6	4.5	4.3	4.1	3.5	3.2
46.0											44.4m x 4.9	4.4	4.2	4.1	4.0	3.8	3.6	3.0	2.7
48.0												47.0m x 4.2	3.8	3.7	3.6	3.4	3.1	2.5	2.2
50.0													49.6m x 3.5	3.3	3.2	3.0	2.7	2.1	1.7
52.0														3.0	2.9	2.7	2.2	1.7	1.3
54.0														52.2m x 2.9	2.6	2.4	1.8	1.3	

- Notes
- Above rated loads are based on firm level ground, within 78% of tipping load at any point 360° throughout and with front stability of 1.15 or more.
 - Working radius is horizontal distance from center of rotation to a vertical line through the center of gravity of the load.
 - When the main hook block is installed, the lifting loads of jib must be reduced by the weight of hook block (main and jib) and other lifting devices.
 120ton hook block...1.60ton 60ton hook block...1.15ton
 50ton hook block...0.95ton 30ton hook block...0.75ton
 11ton hook block...0.40ton

Jib rated lifting loads

Boom length (m)	30.0						42.0						63.0						
Jib length (m)	30.0						42.0						63.0						
Offset angle	13.0		19.0		25.0		13.0		19.0		25.0		13.0		19.0		25.0		
Working radius (m)	10°	30°	10°	30°	10°	30°	10°	30°	10°	30°	10°	30°	10°	30°	10°	30°	10°	30°	
9.0																			
10.0	11.3m x 11.0																		
12.0	11.0		13.4m x 10.0				13.4m x 11.0												
14.0	11.0	15.0m x 8.5	10.0		14.9m x 5.5		11.0		15.5m x 10.0										
16.0	11.0	8.5	10.0		5.5		11.0	17.1m x 8.5	10.0		17.0m x 5.5		17.0m x 11.0						
18.0	11.0	8.5	10.0		18.9m x 6.5	5.5	11.0	8.5	10.0		5.5		11.0		19.1m x 10.0				
20.0	11.0	8.5	10.0		6.5	5.5	11.0	8.5	10.0		21.0m x 6.5	5.5	11.0	20.8m x 8.5	10.0		20.7m x 5.5		
22.0	11.0	8.5	10.0		6.5	5.5	22.3m x 4.5	11.0	8.5	10.0	6.5	5.5	11.0	8.5	10.0		5.5		
24.0	11.0	8.5	10.0		6.5	5.5	4.5	11.0	8.5	10.0	6.5	5.5	24.3m x 4.5	11.0	8.5	10.0	24.6m x 6.5	5.5	
26.0	11.0	8.5	10.0		6.5	5.5	4.5	11.0	8.5	10.0	6.5	5.5	4.5	11.0	8.5	10.0	6.5	5.5	
28.0	11.0	8.5	10.0		6.5	5.5	4.5	29.8m x 11.0	8.5	10.0	6.5	5.5	4.5	28.3m x 11.0	8.5	10.0	6.5	5.5	4.5
30.0	30.7m x 11.0	8.5	10.0		6.5	5.5	4.5	10.9	8.5	31.7m x 10.0	6.5	5.5	4.5	10.0	8.5	10.0	6.5	5.5	4.5
32.0	10.4	8.5	32.8m x 10.0		6.5	5.5	4.5	9.9	8.5	9.9	6.5	5.5	4.5	9.0	33.1m x 8.5	9.0	6.5	5.5	4.5
34.0	9.5	8.5	9.5		6.5	5.5	4.5	9.0	35.3m x 8.5	9.0	6.5	5.5	4.5	8.1	8.1	8.1	6.5	5.5	4.5
36.0	8.7	36.6m x 8.5	8.7		6.5	5.5	4.5	8.2	8.2	8.2	6.5	5.5	4.5	7.3	7.3	7.3	6.5	5.5	4.5
38.0	8.0	8.0	8.0		6.5	5.5	4.5	7.5	7.5	7.5	6.5	5.5	4.5	6.6	6.6	6.6	38.4m x 6.5	5.5	4.5
40.0	7.4	7.4	7.4		6.5	5.5	4.5	6.9	6.9	6.9	41.5m x 6.5	5.5	4.5	6.0	6.0	6.0	6.0	5.5	4.5
42.0	40.1m x 7.4	41.1m x 7.1	6.9		43.5m x 6.5	5.5	4.5	6.4	6.4	6.4	6.4	5.5	4.5	5.5	5.5	5.5	5.5	5.5	4.5
44.0			6.4		6.4	5.5	4.5	5.9	5.9	5.9	5.9	4.5	5.0	5.0	5.0	5.0	5.0	5.0	4.5
46.0			45.8m x 6.0		5.9	5.5	4.5	5.4	5.4	5.4	5.4	4.5	4.5	4.5	4.5	4.5	4.5	4.5	4.5
48.0					47.1m x 5.7	5.5	4.5	5.0	5.0	5.0	5.0	4.5	4.5	4.1	4.1	4.1	4.1	4.1	4.1
50.0						5.1	4.5	4.6	4.6	4.6	4.6	4.6	4.6	50.7m x 4.5	3.7	3.7	3.7	3.7	3.7
52.0						51.2m x 4.9	4.5	50.5m x 4.5	51.5m x 4.4	4.3	4.3	4.3	4.3	3.4	3.4	3.4	3.4	3.4	3.4
54.0							53.1m x 4.5			4.0	4.0	4.0	4.0	3.1	3.1	3.1	3.1	3.1	3.1
56.0										3.6	3.6	3.6	3.6	2.7	2.7	2.7	2.7	2.7	2.7
58.0										56.2m x 3.5	57.5m x 3.4	3.3	3.3	2.4	2.4	2.4	2.4	2.4	2.4
60.0												3.0	3.0	2.1	2.1	2.1	2.1	2.1	2.1

- Notes
- Above rated loads are based on firm level ground, within 78% of tipping load at any point 360° throughout and with front stability of 1.15 or more.
 - Working radius is horizontal distance from center of rotation to a vertical line through the center of gravity of the load.
 - When the main hook block is installed, the lifting loads of jib must be reduced by the weight of hook block (main and jib) and other lifting devices.
 120ton hook block...1.60ton 60ton hook block...1.15ton
 50ton hook block...0.95ton 30ton hook block...0.75ton
 11ton hook block...0.40ton

Luffing Jib Crane

CCH1200

Specifications

Max. lifting capacity x working radius	at Post	40metric tons x 10.8m	
	at Jib	20metric tons x 14.0m	
Max. lift above ground level		92m(51.25m post+44m jib)	
Rope speed	Main drum hoist/lowering	* 100~50/50~25m/min	
	Aux.drum hoist/lowering	* 100~50/50~25m/min	
	Post hoist/lowering	* 60~30m/min	
	Jib hoist/lowering	* 60~30m/min	
Part line	at Post	Hook block capacity x Part line	40ton x 4
		Hook block capacity x Part line	20ton x 2
	at Jib	Hook block capacity x Part line	20ton x 2
		Hook block capacity x Part line	11ton x 1
	Post hoist		14
	Jib hoist		8
Counterweight		50ton	
Total operating weight (with 51.25m post+40ton hook+44m jib+20ton hook)		137.9ton	
Average ground bearing pressure		1.04kgf/cm ²	

Note: The rope speed changes depending on the load.

Combination of post and Jib

Jib length (m)	Post length(m)																
	18.25	21.25	24.25	27.25	30.25	33.25	36.25	39.25	42.25	45.25	48.25	51.25	54.25	57.25	60.25	63.25	66.25
23				●	●	●	●	●	●	●	●	●	●	●	●	●	●
26				●	●	●	●	●	●	●	●	●	●	●	●	●	●
29				●	●	●	●	●	●	●	●	●	●	●	●	●	●
32				●	●	●	●	●	●	●	●	●	●	●	●	●	●
35				●	●	●	●	●	●	●	●	●	●	●	●	●	●
38				●	●	●	●	●	●	●	●	●	●	●	●	●	●
41				●	●	●	●	●	●	●	●	●	●	●	●	●	●
44				●	●	●	●	●	●	●	●	●	●	●	●	●	●

Note: ●:Possible combinations.

Wire rope

Place of use	Rope diameter (mm)	Guaranteed strength (t)	Rope type
Main drum	φ 26	61.0	PS(19)+39 x P·7
Aux.drum	φ 26	61.0	PS(19)+39 x P·7
Post hoist	φ 22	36.3	IWRC6 x WS(31)
Jib hoist	φ 26	57.8	IWRC6 x WS(31)
Post suspension	φ 31.5	74.9	IWRC6 x Fi(29)
Jib suspension	φ 34	86.7	IWRC6 x Fi(29)
Strut suspension	φ 34	86.7	IWRC6 x Fi(29)

Note: Wire rope length to be decided according to the ordered boom length.

Post Composition

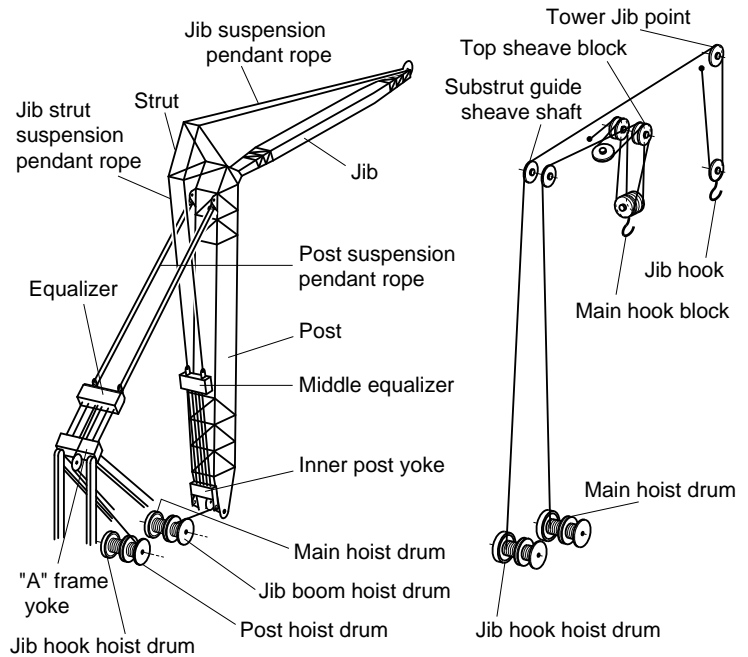
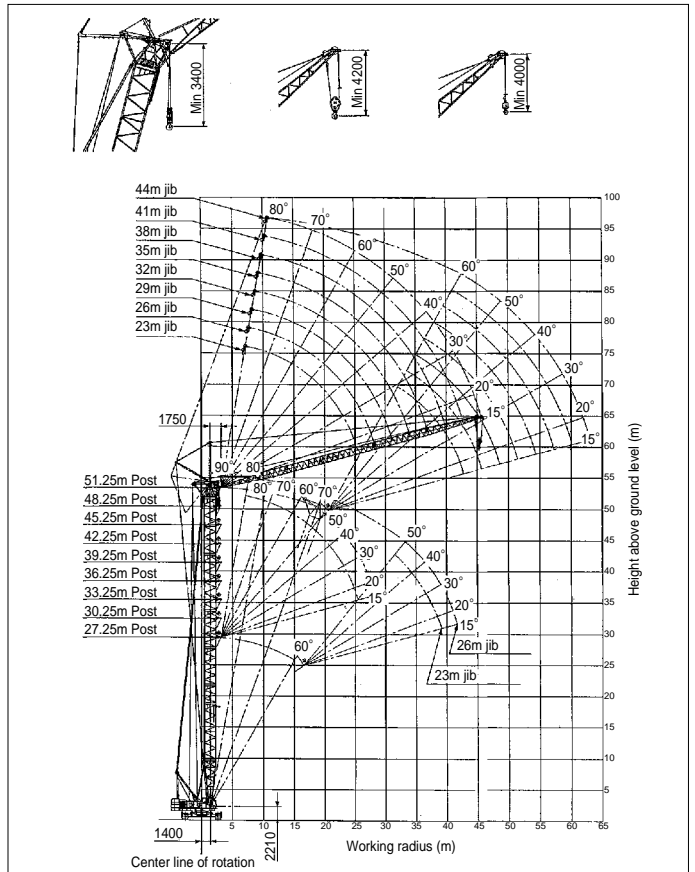
Post length(m)	Post Composition(m)
18.25	7.5(inner)+*9.0+1.75(outer)
21.25	7.5+*9.0+3.0+1.75
24.25	7.5+*9.0+6.0+1.75
27.25	7.5+*9.0+9.0+1.75
30.25	7.5+*9.0+3.0+9.0+1.75
33.25	7.5+*9.0+6.0+9.0+1.75
36.25	7.5+*9.0+9.0+9.0+1.75
39.25	7.5+*9.0+3.0+9.0+9.0+1.75
42.25	7.5+*9.0+6.0+9.0+9.0+1.75
45.25	7.5+*9.0+3.0+6.0+9.0+9.0+1.75
48.25	7.5+*9.0+6.0+6.0+9.0+9.0+1.75
51.25	7.5+*9.0+3.0+6.0+6.0+9.0+9.0+1.75
54.25	7.5+*9.0+3.0+6.0+9.0+9.0+9.0+1.75
57.25	7.5+*9.0+3.0+3.0+6.0+9.0+9.0+1.75
60.25	7.5+*9.0+3.0+6.0+6.0+9.0+9.0+1.75
63.25	7.5+*9.0+3.0+6.0+9.0+9.0+9.0+1.75
66.25	7.5+*9.0+3.0+3.0+6.0+9.0+9.0+9.0+1.75

Notes
 1. 9.0m insert post (*9.0) is installed to the middle equalizer guide rail and load hoist guide sheave.
 2. 3.0m~9.0m insert post including jib strut suspension pendant rope.
 3. Required middle suspension for post length 54.25 m and long.

Jib Composition

Jib length(m)	Jib Composition(m)
23	8.0(inner)+6.0+9.0(outer)
26	8.0+3+6+9.0
29	8.0+3+9+9.0
32	8.0+6+9+9.0
35	8.0+9+9+9.0
38	8.0+3+9+9+9.0
41	8.0+6+9+9+9.0
44	8.0+3+6+9+9+9.0

Working range (No load condition)



Luffing Jib Crane

CCH1200

Post rated lifting loads

(Unit:metric ton)

Post length(m)	27.25						33.25												
	23.0			26.0			23.0			26.0			29.0			32.0			
Jib length(m)	23.0			26.0			23.0			26.0			29.0			32.0			
Jib offset angle	23.0			26.0			23.0			26.0			29.0			32.0			
Working radius (m)	10~20°	20~40°	40°~	10~20°	20~40°	40°~	10~20°	20~40°	40°~	10~20°	20~40°	40°~	10~20°	20~40°	40°~	10~20°	20~40°	40°~	
5.0	5.2m x 40.0	5.2m x 40.0	5.2m x 40.0	5.2m x 40.0	5.2m x 40.0	5.2m x 40.0	5.8m x 40.0	5.8m x 40.0	5.8m x 40.0	5.8m x 40.0	5.8m x 40.0	5.8m x 40.0	5.8m x 40.0	5.8m x 40.0	5.8m x 40.0	5.8m x 40.0	5.8m x 40.0	5.8m x 40.0	
6.0	40.0	40.0	40.0	40.0	40.0	40.0	40.0	40.0	40.0	40.0	40.0	40.0	40.0	40.0	40.0	40.0	40.0	40.0	
7.0	40.0	40.0	40.0	40.0	40.0	40.0	40.0	40.0	40.0	40.0	40.0	40.0	40.0	40.0	40.0	40.0	40.0	40.0	
8.0	40.0	40.0	40.0	40.0	40.0	40.0	40.0	40.0	40.0	40.0	40.0	40.0	40.0	40.0	40.0	40.0	40.0	40.0	
9.0	40.0	40.0	40.0	40.0	40.0	40.0	40.0	40.0	40.0	40.0	40.0	40.0	40.0	40.0	40.0	40.0	40.0	40.0	
10.0	10.8m x 40.0	10.7m x 40.0	10.7m x 40.0	10.7m x 40.0	10.6m x 40.0	10.6m x 40.0	10.8m x 40.0	10.7m x 40.0	10.7m x 40.0	10.7m x 40.0	10.6m x 40.0	10.6m x 40.0	10.6m x 40.0	10.5m x 40.0	10.5m x 40.0	10.5m x 40.0	10.5m x 40.0	10.4m x 40.0	10.3m x 40.0
12.0	33.0	32.6	32.5	32.4	32.1	31.9	32.8	32.4	32.3	32.2	31.9	31.7	31.6	31.3	31.0	31.0	30.6	29.9	
14.0	25.3	24.9	24.8	24.7	24.4	24.2	25.1	24.7	24.6	24.5	24.2	24.0	23.9	23.6	23.3	23.3	22.9	22.2	
16.0	19.9	19.5	19.4	19.3	19.0	18.8	19.7	19.3	19.2	19.1	18.8	18.6	18.5	18.2	17.9	17.9	17.5	16.8	
18.0	16.0	15.6	15.5	15.4	15.1	14.9	15.7	15.3	15.2	15.1	14.8	14.6	14.5	14.2	13.9	13.9	13.5	12.8	
20.0	12.9	12.5	12.4	12.3	12.0	11.8	12.7	12.3	12.2	12.1	11.8	11.6	11.5	11.2	10.9	10.9	10.5	9.8	
22.0	10.5	10.1	10.0	9.9	9.6	9.4	10.3	9.9	9.8	9.7	9.4	9.2	9.1	8.8	8.5	8.5	8.1	7.4	
24.0	8.5	8.1	8.0	7.9	7.6	7.4	8.3	7.9	7.8	7.7	7.4	7.2	7.1	6.8	6.5	6.5	6.1	5.4	
26.0	6.9	6.5	6.4	6.3	6.0	5.8	6.7	6.3	6.2	6.1	5.8	5.6	5.5	5.2	4.9	4.9	4.5	3.8	
28.0	26.3m x 6.7	26.3m x 6.7	26.3m x 6.2	26.3m x 6.1	26.3m x 5.8	26.3m x 5.6	5.3	4.9	4.8	4.7	4.4	4.2	4.1	3.8	3.5	3.5	3.1	2.4	
30.0							4.1	3.7	3.6	3.5	3.2	3.0	2.9	2.6	2.3	2.3			
32.0							31.5m x 3.4	31.5m x 3.0	31.5m x 2.9	31.5m x 2.8	31.5m x 2.5	31.5m x 2.3	31.5m x 2.2						

Post length(m)	39.25																	
	23.0			26.0			29.0			32.0			35.0			38.0		
Jib length(m)	23.0			26.0			29.0			32.0			35.0			38.0		
Jib offset angle	23.0			26.0			29.0			32.0			35.0			38.0		
Working radius (m)	10~20°	20~40°	40°~	10~20°	20~40°	40°~	10~20°	20~40°	40°~	10~20°	20~40°	40°~	10~20°	20~40°	40°~	10~20°	20~40°	40°~
5.0																		
6.0	6.3m x 40.0	6.3m x 40.0	6.3m x 40.0	6.3m x 40.0	6.3m x 40.0	6.3m x 40.0	6.3m x 40.0	6.3m x 40.0	6.3m x 40.0	6.3m x 40.0	6.3m x 40.0	6.3m x 40.0	6.3m x 40.0	6.3m x 40.0	6.3m x 40.0	6.3m x 40.0	6.3m x 40.0	6.3m x 40.0
7.0	40.0	40.0	40.0	40.0	40.0	40.0	40.0	40.0	40.0	40.0	40.0	40.0	40.0	40.0	40.0	40.0	40.0	40.0
8.0	40.0	40.0	40.0	40.0	40.0	40.0	40.0	40.0	40.0	40.0	40.0	40.0	40.0	40.0	40.0	40.0	40.0	40.0
9.0	40.0	40.0	40.0	40.0	40.0	40.0	40.0	40.0	40.0	40.0	40.0	40.0	40.0	40.0	40.0	40.0	40.0	40.0
10.0	10.7m x 40.0	10.7m x 40.0	10.7m x 40.0	10.6m x 40.0	10.6m x 40.0	10.6m x 40.0	10.5m x 40.0	10.5m x 40.0	10.5m x 40.0	10.5m x 40.0	10.4m x 40.0	10.3m x 40.0	10.4m x 40.0	10.3m x 40.0	10.1m x 40.0	10.3m x 40.0	10.2m x 40.0	9.9m x 40.0
12.0	32.6	32.2	32.1	32.0	31.7	31.5	31.4	31.1	30.8	30.8	30.4	29.7	30.2	29.5	28.4	29.6	28.8	27.1
14.0	24.9	24.5	24.4	24.3	24.0	23.8	23.7	23.4	23.1	23.1	22.7	22.0	22.5	21.8	20.7	21.9	21.1	19.4
16.0	19.5	19.1	19.0	18.9	18.6	18.4	18.3	18.0	17.7	17.7	17.3	16.6	17.1	16.4	15.3	16.5	15.7	14.0
18.0	15.5	15.1	15.0	14.9	14.6	14.4	14.3	14.0	13.7	13.7	13.3	12.6	13.1	12.4	11.3	12.5	11.7	10.0
20.0	12.5	12.1	12.0	11.9	11.6	11.4	11.3	11.0	10.7	10.7	10.3	9.6	10.1	9.4	8.3	9.5	8.7	7.0
22.0	10.0	9.6	9.5	9.4	9.1	8.9	8.8	8.5	8.2	8.2	7.8	7.1	7.6	6.9	5.8	7.0	6.2	4.5
24.0	8.1	7.7	7.6	7.5	7.2	7.0	6.9	6.6	6.3	6.3	5.9	5.2	5.7	5.0	3.9	5.1	4.3	2.6
26.0	6.4	6.0	5.9	5.8	5.5	5.3	5.2	4.9	4.6	4.6	4.2	3.5	4.0	3.3	2.2	3.4	2.6	
28.0	5.1	4.7	4.6	4.5	4.2	4.0	3.9	3.6	3.3	3.3	2.9	2.2	2.7	2.0		2.1		
30.0	3.9	3.5	3.4	3.3	3.0	2.8	2.7	2.4	2.1	2.1								
32.0	2.9	2.5	2.4	2.3	2.0													
34.0	2.0																	

Post length(m)	51.25																									
	23.0			26.0			29.0			32.0			35.0			38.0			41.0			44.0				
Jib length(m)	23.0			26.0			29.0			32.0			35.0			38.0			41.0			44.0				
Jib offset angle	23.0			26.0			29.0			32.0			35.0			38.0			41.0			44.0				
Working radius (m)	10~20°	20~40°	40°~	10~20°	20~40°	40°~	10~20°	20~40°	40°~	10~20°	20~40°	40°~	10~20°	20~40°	40°~	10~20°	20~40°	40°~	10~20°	20~40°	40°~	10~20°	20~40°	40°~		
5.0																										
6.0																										
7.0	7.4m x 30.0	7.4m x 30.0	7.4m x 30.0	7.4m x 30.0	7.4m x 30.0	7.4m x 30.0	7.4m x 30.0	7.4m x 30.0	7.4m x 30.0	7.4m x 30.0	7.4m x 30.0	7.4m x 30.0	7.4m x 30.0	7.4m x 30.0	7.4m x 30.0	7.4m x 30.0	7.4m x 30.0	7.4m x 30.0	7.4m x 30.0	7.4m x 30.0	7.4m x 30.0	7.4m x 30.0	7.4m x 30.0	7.4m x 30.0	7.4m x 30.0	
8.0	30.0	30.0	30.0	30.0	30.0	30.0	30.0	30.0	30.0	30.0	30.0	30.0	30.0	30.0	30.0	30.0	30.0	30.0	30.0	30.0	30.0	30.0	30.0	30.0	30.0	30.0
9.0	30.0	30.0	30.0	30.0	30.0	30.0	30.0	30.0	30.0	30.0	30.0	30.0	30.0	30.0	30.0	30.0	30.0	30.0	30.0	30.0	30.0	30.0	30.0	30.0	30.0	30.0
10.0	30.0	30.0	30.0	30.0	30.0	30.0	30.0	30.0	30.0	30.0	30.0	30.0	30.0	30.0	30.0	30.0	30.0	30.0	30.0	30.0	30.0	30.0	30.0	30.0	30.0	30.0
12.0	12.5m x 30.0	12.4m x 30.0	12.4m x 30.0	12.4m x 30.0	12.3m x 30.0	12.3m x 30.0	12.3m x 30.0	12.2m x 30.0	12.1m x 30.0	12.1m x 30.0	12.0m x 30.0	29.3	29.8	29.1	28.0	29.2	28.4	26.7	28.5	27.3	25.4	27.8	26.0	23.4		
14.0	24.5	24.1	24.0	23.9	23.6	23.4	23.3	23.0	22.7	22.7	22.3	21.6	22.1	21.4	20.3	21.5	20.7	19.0	20.8	19.6	17.7	20.1	18.3	15.7		
16.0	19.0	18.6	18.5	18.4	18.1	17.9	17.8	17.5	17.2	17.2	16.8	16.1	16.6	15.9	14.8	16.0	15.2	13.5	15.3	14.1	12.2	14.6	12.8	10.2		
18.0	15.1	14.7	14.6	14.5	14.2	14.0	13.9	13.6	13.3	13.3	12.9	12.2	12.7	12.0	10.9	12.1	11.3	9.6	11.4	10.2	8.3	10.7	8.9	6.3		
20.0	12.0	11.6	11.5	11.4	11.1	10.9	10.8	10.5	10.2	10.2	9.8	9.1	9.6	8.9	7.8	9.0	8.2	6.5	8.3	7.1	5.2	7.6	5.8	3.2		
22.0	9.6	9.2	9.1	9.0	8.7	8.5	8.4	8.1	7.8	7.8	7.4	6.7	7.2	6.5	5.4	6.6	5.8	4.1	5.9	4.7	2.8	5.2	3.4			
24.0	7.6	7.2	7.1	7.0	6.7	6.5	6.4	6.1	5.8	5.8	5.4	4.7	5.2	4.5	3.4	4.6	3.8	2.1	3.9	2.7		3.2				
26.0	5.9	5.5	5.4	5.3	5.0	4.8	4.7	4.4	4.1	4.1	3															

Luffing Jib Crane

CC1200

■ Jib rated lifting loads

(Unit: metric ton)

Post length(m)	27.25									36.25											
	23.0			26.0			23.0			26.0			29.0			32.0			35.0		
	90°	75°	60°	90°	75°	60°	90°	75°	60°	90°	75°	60°	90°	75°	60°	90°	75°	60°	90°	75°	60°
7.2	20.0			7.7m x 18.0			20.0			7.7m x 18.0			8.2m x 16.0			8.8m x 15.2			9.3m x 14.0		
10.0	20.0			18.0			20.0			18.0			16.0			15.2			14.0		
12.0	20.0			18.0			20.0			18.0			16.0			15.2			14.0		
14.0	20.0			18.0			20.0			18.0			16.0			15.2			14.0		
15.0	18.0			18.0			18.0			18.0			16.0			15.2			14.0		
16.0	16.6			16.5			16.6			16.5			16.0			17.0m x 15.2			13.5		
18.0	14.3	19.9m x 12.8		14.3			14.3			14.3			14.3			14.2			12.5		
20.0	12.7	12.7		12.7	21.2m x 11.9		12.7			12.7			12.7			12.7			11.4		
22.0	11.4	11.4		11.4	11.4		11.4	22.2m x 11.3		11.4	23.5m x 10.6		11.4			11.4			10.5		
24.0	10.3	10.3		10.3	10.3		10.3	10.3		10.3	10.3		10.3	24.8m x 9.9		10.3			9.6		
26.0	25.3m x 9.8	9.5		9.4	9.4		25.3m x 9.8	9.5		9.4	9.4		9.4	9.4		9.4	9.4		8.8	27.3m x 8.3	
28.0		9.0		8.8	8.8			9.0		8.8	8.8		8.9	8.9		8.5	8.5		8.1	8.1	
30.0		8.5	31.4m x 8.2	28.2m x 8.8	8.5		8.5		28.2m x 8.7	8.3		8.2	8.2		7.7	7.7		7.4	7.4		
32.0		8.1	8.1	8.2	33.3m x 8.0		8.1			7.9		31.1m x 7.8	7.6		7.0	7.0		6.9	6.9		
34.0		32.3m x 8.0	7.8	7.9	7.9		7.8	35.9m x 7.4		7.6			7.3		6.6	6.6		6.4	6.4		
36.0			7.3	35.2m x 7.6	7.4		34.6m x 7.7	7.3		7.3	37.8m x 6.9		7.0			6.2		6.0	6.0		
38.0			6.6		6.7			6.5		37.5m x 7.0	6.8		6.7	39.7m x 6.5		5.8		36.9m x 5.9	5.7		
40.0			38.7m x 6.3		6.3			5.7			6.0		6.4	6.4		5.5	41.7m x 5.3		5.4		
42.0					41.6m x 6.0			5.1			5.1		40.4m x 6.3	5.6		5.2	5.2		5.1	43.6m x 4.9	
44.0								43.2m x 4.8			4.4		4.7			43.3m x 5.0	4.9		4.8	4.8	
46.0											4.2		4.3				4.2		4.6	4.6	
48.0											46.1m x 4.2		4.0				3.8		46.2m x 4.6	4.2	
50.0													49.0m x 3.9			3.6				3.7	
52.0																51.9m x 3.4				3.5	
54.0																				3.3	
56.0																					54.8m x 3.2

Post length(m)	39.25																			
	23.0			26.0			29.0			32.0			35.0			38.0				
	90°	75°	60°	90°	75°	60°	90°	75°	60°	90°	75°	60°	90°	75°	60°	90°	75°	60°		
7.2	20.0			7.7m x 18.0			8.2m x 16.0			8.8m x 15.2			9.3m x 14.0			9.8m x 12.0				
10.0	20.0			18.0			16.0			15.2			14.0			12.0				
12.0	20.0			18.0			16.0			15.2			14.0			12.0				
14.0	20.0			18.0			16.0			15.2			14.0			12.0				
15.0	18.0			18.0			16.0			15.2			14.0			12.0				
16.0	16.6			16.5			16.0			17.0m x 15.2			13.5			12.0				
18.0	14.3			14.3			14.3			14.2			12.5			12.0				
20.0	12.7			12.7			12.7			12.7			11.4			11.1				
22.0	11.4	23.0m x 10.8		11.4			11.4			11.4			10.5			10.2				
24.0	10.3	10.3		10.3	24.3m x 10.2		10.3	25.5m x 9.6		10.3			9.6			9.4				
26.0	25.3m x 9.8	9.5		9.4	9.4		9.4	9.4		9.4	26.8m x 9.0		8.8			8.6				
28.0		9.0		8.7	8.7		8.9	8.9		8.5	8.5		8.1	28.1m x 8.0		7.9	29.4m x 7.4			
30.0		8.5		28.2m x 8.7	8.2		7.9	7.9		7.7	7.7		7.4	7.4		7.2	7.2			
32.0		8.1			7.7		31.1m x 7.6	7.3		7.0	7.0		6.9	6.9		6.7	6.7			
34.0		7.8			7.4			6.9		6.6	6.6		6.4	6.4		6.2	6.2			
36.0		35.4m x 7.5	37.4m x 6.7		7.1			6.6			6.2		6.0	6.0		5.8	5.8			
38.0			6.5		6.8	39.3m x 6.3		6.4			5.8		36.9m x 5.9	5.7		5.4	5.4			
40.0			5.6		38.3m x 6.7	6.0		6.1	41.2m x 5.8		5.5		5.4			39.8m x 5.1	5.1			
42.0			5.0			5.1		41.2m x 5.8	5.5		5.2	43.2m x 5.0		5.1				4.8		
44.0			4.3			4.3			4.6		4.9	4.9		4.8	45.1m x 4.7		4.6			
46.0			44.7m x 4.2			3.9			3.9		44.1m x 4.9	4.2		4.6	4.6		4.4	4.4	47.0m x 4.3	
48.0						47.6m x 3.7			3.6			3.5		47.0m x 4.2	3.8		4.3	4.3		
50.0									3.4			3.4			3.4		49.9m x 4.0	4.0		
52.0									50.5m x 3.4			3.1			3.2			3.4		
54.0												53.4m x 3.0			3.0			3.1		
56.0															2.8			2.8		
58.0															56.3m x 2.8			2.7		
60.0																		59.2m x 2.6		

Luffing Jib Crane

CCH1200

Post rated lifting loads (without jib)

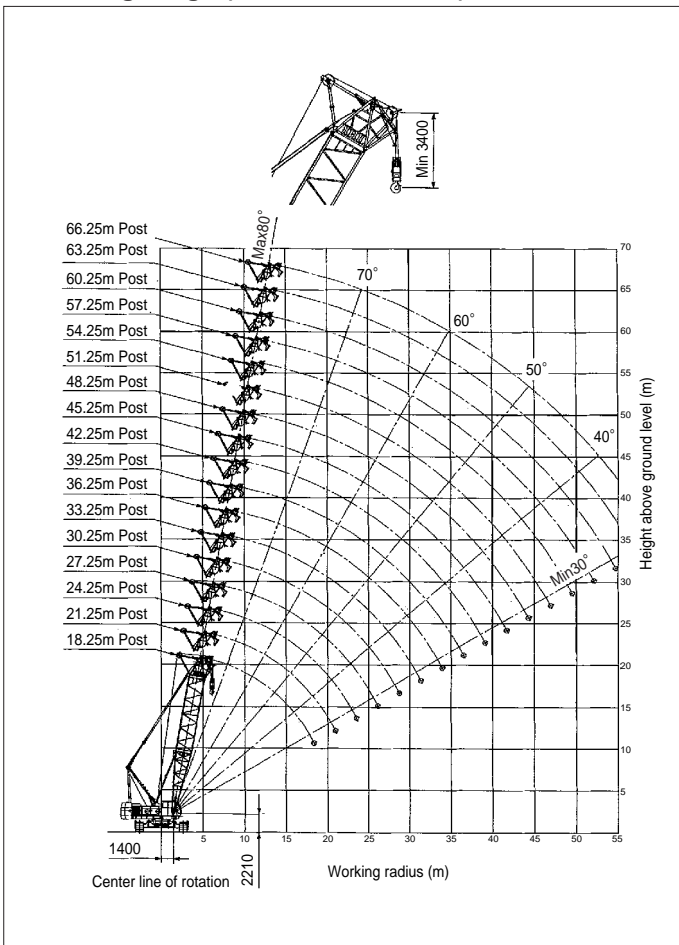
(Unit: metric ton)

Post length(m)	18.25	21.25	24.25	27.25	30.25	33.25	36.25	39.25	42.25	45.25	48.25	51.25	54.25	57.25	60.25	63.25	66.25
Working radius (m)	18.25	21.25	24.25	27.25	30.25	33.25	36.25	39.25	42.25	45.25	48.25	51.25	54.25	57.25	60.25	63.25	66.25
6.0	6.1m x 40.0	6.6m x 40.0															
7.0	40.0	40.0	7.2m x 40.0	7.7m x 40.0													
8.0	40.0	40.0	40.0	40.0	8.2m x 40.0	8.7m x 40.0											
9.0	40.0	40.0	40.0	40.0	40.0	40.0	9.2m x 40.0	9.8m x 40.0	10.3m x 40.0	10.8m x 40.0							
10.0	11.9m x 40.0	11.9m x 40.0	11.9m x 40.0	11.9m x 40.0	11.9m x 40.0	11.8m x 40.0	11.8m x 40.0	11.8m x 40.0	11.8m x 40.0	11.8m x 40.0	11.3m x 30.0	11.8m x 30.0					
12.0	39.8	39.7	39.6	39.5	39.4	39.3	39.2	39.1	39.0	38.9	30.0	30.0	12.4m x 30.0	12.9m x 30.0	13.4m x 25.0	13.9m x 18.0	
14.0	32.1	32.0	31.9	31.8	31.7	31.6	31.5	31.4	31.3	31.2	14.3m x 30.0	14.3m x 30.0	14.2m x 30.0	14.2m x 30.0	25.0	18.0	14.4m x 13.0
16.0	26.7	26.6	26.5	26.4	26.3	26.2	26.1	26.0	25.9	25.8	25.7	25.5	25.4	25.3	16.1m x 25.0	18.0	13.0
18.0	22.8	22.7	22.6	22.5	22.3	22.2	22.1	22.0	21.9	21.8	21.7	21.6	21.4	21.3	21.3	18.0	13.0
20.0	18.6m x 21.8	19.6	19.5	19.4	19.3	19.2	19.1	19.0	18.8	18.7	18.6	18.5	18.4	18.3	18.2	20.1m x 18.0	13.0
22.0		21.2m x 18.1	17.1	17.0	16.9	16.8	16.6	16.5	16.4	16.3	16.2	16.1	15.9	15.8	15.7	15.6	13.0
24.0			23.7m x 15.4	15.0	14.9	14.8	14.7	14.6	14.4	14.3	14.2	14.1	14.0	13.9	13.8	13.7	24.7m x 13.0
26.0				13.4	13.3	13.2	13.0	12.9	12.8	12.7	12.6	12.4	12.3	12.2	12.1	12.0	11.9
28.0				26.3m x 13.2	11.9	11.8	11.7	11.6	11.4	11.3	11.2	11.1	10.9	10.8	10.7	10.6	10.5
30.0					28.9m x 11.4	10.6	10.5	10.4	10.3	10.1	10.0	9.9	9.8	9.7	9.6	9.5	9.4
32.0						31.5m x 9.9	9.5	9.4	9.2	9.1	9.0	8.9	8.7	8.6	8.5	8.4	8.3
34.0							8.6	8.5	8.4	8.2	8.1	8.0	7.9	7.8	7.7	7.6	7.5
36.0							34.1m x 8.5	7.7	7.6	7.5	7.3	7.2	7.1	7.0	6.9	6.8	6.7
38.0								36.7m x 7.5	6.9	6.8	6.6	6.5	6.4	6.3	6.2	6.1	6.0
40.0									39.3m x 6.5	6.2	6.0	5.9	5.8	5.7	5.6	5.5	5.4
42.0										41.9m x 5.6	5.5	5.4	5.2	5.1	5.0	4.9	4.8
44.0											5.0	4.9	4.7	4.6	4.5	4.4	4.2
46.0											44.5m x 4.9	4.4	4.2	4.1	3.9	3.8	3.7
48.0												47.1m x 4.1	3.7	3.6	3.4	3.3	3.2
50.0													49.7m x 3.3	3.1	3.0	2.8	2.7
52.0														2.7	2.6	2.4	2.3
54.0														52.3m x 2.6	2.2	2.0	1.9

Notes

- Above rated loads are based on firm level ground, within 78% of tipping load at any point 360° throughout and with front stability of 1.15 or more.
- The actual lifting loads must be reduced following hook block (main and jib) and other lifting devices.
 11ton hook block---0.40ton
 40ton hook block---0.95ton
 30ton hook block---0.75ton
- Depending on the number of part lines, rated load is limited as follows:
 1-part line---up to 11.0ton
 2-part line---up to 20.0ton
 3-part line---up to 30.0ton
 4-part line---up to 40.0ton

Working range (No load condition)



Luffing Tower Crane

CCH1200

Specifications

Max. lifting capacity x working radius		20metric tons x 14m
Max. lift above ground level		92m(51.25m post+44m jib)
Rope speed	Main drum hoist/lowering	* 100~50/50~25m/min
	Post hoist/lowering	* 60~30m/min
	Jib hoist/lowering	* 100~50/50~25m/min
Part line	Main drum hoist	Hook block capacity x Part line 20ton x 2
	Post hoist	Hook block capacity x Part line 11ton x 1
	Jib hoist	14
	Jib hoist	8
Counterweight		50ton
Total operating weight (with 51.25m post+44m jib+20ton hook)		135.5ton(Approx.)
Average ground bearing pressure		1.03kgf/cm ²

Note: The rope speed changes depending on the load.

Combination of post and Jib, post angle

Post length(m)	27.25	30.25	33.25	36.25	39.25	42.25	45.25	48.25	51.25
23	☒ ● ☒	● ☒	● ☒	● ☒	● ☒	● ☒	● ☒	● ☒	●
26	☒ ● ☒	● ☒	● ☒	● ☒	● ☒	● ☒	● ☒	● ☒	●
29	☒ ☒	● ☒	● ☒	● ☒	● ☒	● ☒	● ☒	● ☒	●
32	☒ ☒	☒	● ☒	● ☒	● ☒	● ☒	● ☒	● ☒	●
35	☒ ☒	☒	☒	● ☒	● ☒	● ☒	● ☒	● ☒	●
38	☒ ☒	☒	☒	☒	● ☒	● ☒	● ☒	● ☒	●
41	☒ ☒	☒	☒	☒	☒	● ☒	● ☒	● ☒	●
44	☒ ☒	☒	☒	☒	☒	☒	● ☒	● ☒	●

Note: ●:Possible combination

Wire Rope

Place of use	Rope diameter (mm)	Guaranteed strength (t)	Rope type
Hook hoist	☒ φ 26	☒ 61.0	PS(19)+39 x P·7
Post hoist	☒ φ 22	36.3	IWRC6 x WS(31)
Jib hoist	☒ φ 26	57.8	T IWRC6 x WS(31)
Post suspension	☒ φ 31.5	74.9	IWRC6 x Fi(29)
Jib suspension	☒ φ 34	86.7	IWRC6 x Fi(29)
Strut suspension	☒ φ 34	86.7	IWRC6 x Fi(29)

Note: Wire rope length to be decided according to the ordered boom length.

Post Composition

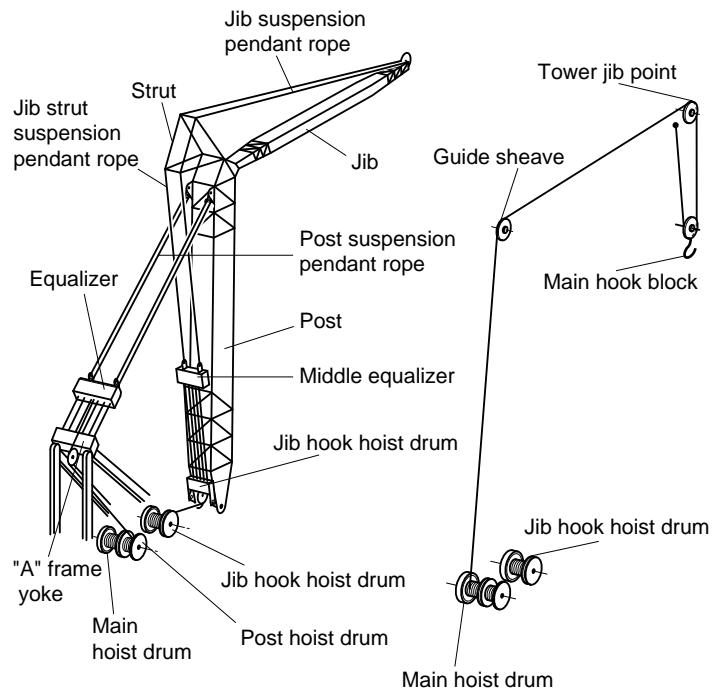
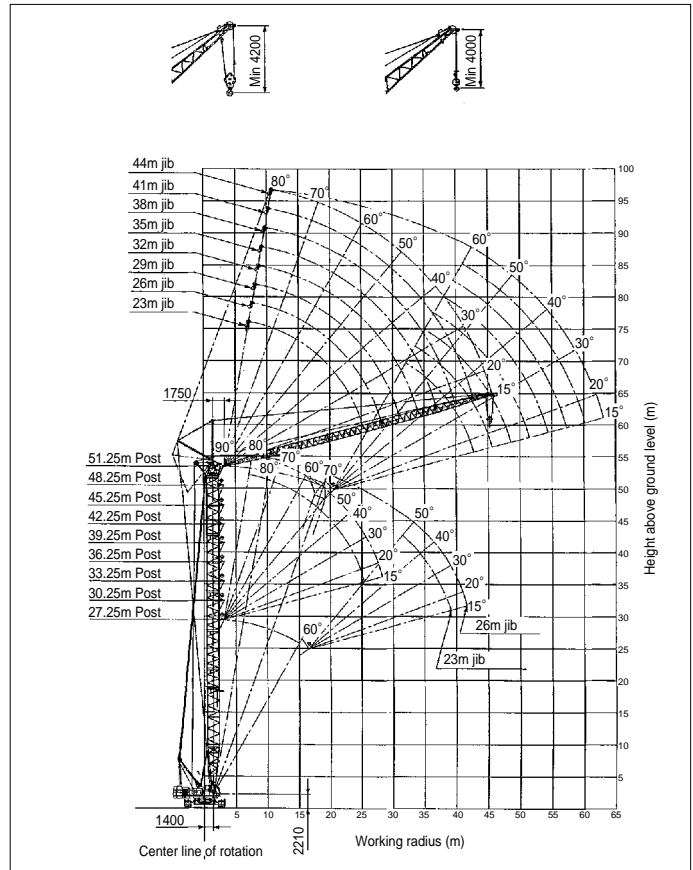
Post length(m)	Post Composition(m)
27.25	7.5(inner)+ *9+9+1.75(outer)
30.25	7.5+ *9.0+3.0+9.0+1.75
33.25	7.5+ *9.0+6.0+9.0+1.75
36.25	7.5+ *9.0+9.0+9.0+1.75
39.25	7.5+ *9.0+3.0+9.0+9.0+1.75
42.25	7.5+ *9.0+6.0+9.0+9.0+1.75
45.25	7.5+ *9.0+3.0+6.0+9.0+9.0+1.75
48.25	7.5+ *9.0+6.0+6.0+9.0+9.0+1.75
51.25	7.5+ *9.0+3.0+6.0+6.0+9.0+9.0+1.75

Notes
1. 9.0m insert post (*9.0) is installed to the middle equalizer guide rail.
2. 3.0m~9.0m insert post including jib strut suspension pendant rope.

Jib Composition

Jib length(m)	Jib Composition(m)
23	8(inner)+6+9(outer)
26	8+3+6+9
29	8+3+9+9
32	8+6+9+9
35	8+9+9+9
38	8+3+9+9+9
41	8+6+9+9+9
44	8+3+6+9+9+9(outer)

Working range (No load condition)



Luffing Tower Crane

CCH1200

Jib rated lifting loads

(Unit: metric ton)

Post length(m)	27.25												39.25																				
	23.0				26.0				23.0				26.0				29.0				32.0				35.0				38.0				
	90°	75°	60°	90°	75°	60°	90°	75°	60°	90°	75°	60°	90°	75°	60°	90°	75°	60°	90°	75°	60°	90°	75°	60°	90°	75°	60°	90°	75°	60°	90°	75°	60°
7.2	20.0			7.7m x 18.0			20.0					7.7m x 18.0			8.2m x 16.0			8.8m x 15.2			9.3m x 14.0			9.8m x 12.0									
10.0	20.0			18.0			20.0					18.0			16.0			15.2			14.0			12.0									
12.0	20.0			18.0			20.0					18.0			16.0			15.2			14.0			12.0									
14.0	20.0			18.0			20.0					18.0			16.0			15.2			14.0			12.0									
15.0	18.0			18.0			18.0					18.0			16.0			15.2			14.0			12.0									
16.0	16.6			16.5			16.6					16.5			16.0			17.0m x 15.2			13.5			12.0									
18.0	14.3	19.9m x 12.8		14.3			14.3					14.3			14.3			14.2			12.5			12.0									
20.0	12.7	12.7		12.7	21.2m x 11.9		12.7					12.7			12.7			12.7			11.4			11.1									
22.0	11.4	11.4		11.4	11.4		11.4					11.4			11.4			11.4			10.5			10.2									
24.0	10.3	10.3		10.3	10.3		10.3	10.3				10.3	24.3m x 10.2		10.3	25.5m x 9.6		10.3			9.6			9.4									
26.0	25.3m x 9.8	9.5		9.4	9.4		25.3m x 9.8	9.5				9.4	9.4		9.4	9.4		9.4	26.8m x 9.0		8.8			8.6									
28.0		9.0		8.8	8.8		9.0					8.7	8.7		8.9	8.9		8.5	8.5		8.1	28.1m x 8.0		7.9	29.4m x 7.4								
30.0		8.5	31.4m x 8.2	28.2m x 8.8	8.5		8.5					8.7	8.2		7.9	7.9		7.7	7.7		7.4	7.4		7.2	7.2								
32.0		8.1	8.1	8.2	33.3m x 8.0		8.1					7.7	7.7		31.1m x 7.6	7.3		7.0	7.0		6.9	6.9		6.7	6.7								
34.0		32.3m x 8.0	7.8	7.9	7.9		7.8					7.4			6.9			6.6	6.6		6.4	6.4		6.2	6.2								
36.0		7.3		35.2m x 7.6	7.4		35.4m x 7.5	37.4m x 6.7				7.1			6.6			6.2	6.2		6.0	6.0		5.8	5.8								
38.0		6.6		6.7			6.5					6.8	39.3m x 6.3		6.4			5.8			5.7	36.9m x 5.9		5.4	5.4								
40.0		38.7m x 6.3		6.3			5.6					38.3m x 6.7	6.0		6.1	41.2m x 5.8		5.5	5.5		5.4			5.1	5.1								
42.0				41.6m x 6.0			5.0					5.1			41.2m x 5.8	5.5		4.6	4.6		4.9	4.9		4.8	4.8								
44.0							4.3					4.3			4.6			4.9	4.9		4.8	4.8		4.6	4.6								
46.0							44.7m x 4.2					3.9			3.9			44.1m x 4.9	4.2		4.6	4.6		4.4	4.4								
48.0												47.6m x 3.7			3.6			3.5	3.5		47.0m x 4.2	3.8		4.3	4.3								
50.0															3.4			3.4	3.4		3.4	3.4		3.4	3.4								
52.0																50.5m x 3.4			3.1	3.1		3.2	3.2		3.4	3.4							
54.0																		53.4m x 3.0			3.0	3.0		3.1	3.1								
56.0																					2.8	2.8		2.8	2.8								
58.0																						56.3m x 2.8		2.7	2.7								
60.0																								59.2m x 2.6									
62.0																																	
64.0																																	

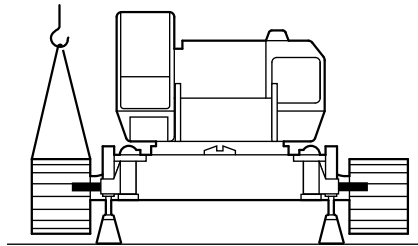
Post length(m)	51.25																															
	23.0				26.0				29.0				32.0				35.0				38.0				41.0				44.0			
	90°	75°	60°	90°	75°	60°	90°	75°	60°	90°	75°	60°	90°	80°	70°	90°	80°	70°	90°	80°	70°	90°	80°	70°	90°	80°	70°	90°	80°	70°		
7.2	20.0			7.7m x 18.0			16.0					8.8m x 15.2			9.3m x 14.0			9.8m x 12.0														
10.0	20.0			18.0			16.0					15.2			14.0			12.0			10.3m x 10.0			10.8m x 8.0								
12.0	20.0			18.0			16.0					15.2			14.0			12.0			10.0			8.0								
14.0	20.0			18.0			16.0					15.2			14.0			12.0			10.0			8.0								
15.0	18.0			18.0			16.0					15.2			14.0			12.0			10.0			8.0								
16.0	16.6			16.5			16.0					17.0m x 15.2			13.4			12.0			10.0			8.0								
18.0	14.3			14.3			14.3					14.2			12.2			10.9			10.0			8.0								
20.0	12.7			12.7			12.7					12.7			11.0			9.9			10.0			8.0								
22.0	11.4			11.4			11.4					11.4			9.8			9.0			9.6			8.0								
24.0	10.3			10.3			10.3					10.3	10.3		8.8			8.1	25.1m x 7.7		8.8			8.0								
26.0	25.3m x 9.8	26.1m x 9.5		9.4	27.4m x 8.9		9.4					9.4	9.4		8.0			7.4	7.4		8.2	26.1m x 8.1		7.7	27.1m x 7.3							
28.0		8.8		8.7	8.7		8.9	28.7m x 8.6				8.5	8.5		7.3			6.7	6.7		6.2	6.2		6.3	6.3							
30.0		8.1		28.2m x 8.7	8.1		7.8	7.8				7.7	7.7		6.7	6.7		6.2	6.2		6.9	6.9		6.3	6.3							
32.0		7.6		7.4			31.1m x 7.1	6.7				7.0			6.2	6.2		5.7	5.7		6.2	6.2		5.7	5.7							
34.0		7.2					6.2					6.6			5.8	5.8		5.3	5.3		5.7	5.7		5.3	5.3							
36.0		6.8					6.0					6.2	36.6m x 6.1		5.5	5.5		5.0	5.0		5.3	5.3		5.0	5.0							
38.0		6.3					5.8					5.8	5.8		36.9m x 5.3	5.1	38.1m x 5.1	4.7	4.7		4.9	4.9		4.7	4.7							
40.0		38.5m x 6.1					5.6					5.5	5.5		4.9	4.9	39.8m x 4.5	4.4	4.4		4.6	4.6		4.4	4.4							
42.0			43.4m x 4.0		41.4m x 5.4		5.3					5.2	5.2		4.6	4.6		4.2	4.2		4.3	4.3		4.4	4.4							
44.0			3.7				45.3m x 3.5					5.0			42.9m x 5.0	4.4		4.3	4.3		4.0	4.0		4.1	4.1							
46.0			3.3				44.3m x 4.9	47.2m x 2.9				4.0			45.8m x 4.0	4.0		3.8	3.8		3.9	3.9		3.7	3.7							
48.0			3.1				2.9					2.8			3.8			3.6	3.6		3.6	3.6		3.5	3.5							
50.0			3.0				2.7					2.5			3.6			3.4	3.4		3.4	3.4		3.4	3.4							
52.0			50.7m x 2.9				2.5					2.3			51.4m x 3.5			3.2	3.2		3.2	3.2		3.2	3.2							
54.0							53.6m x 2.4					2.2						3.0	3.0		3.0	3.0		2.9	2.9							
56.0												2.1						54.3m x 3.0			2.8	2.8		2.7	2.7							
58.0												56.5m x 2.1									57.2m x 2.8		2.6	2.6								
60.0																							2.5	2.5								
62.0																								60.1m x 2.5								
64.0																																

- Notes
- Above rated loads are based

Self dismantling method convenient transportation

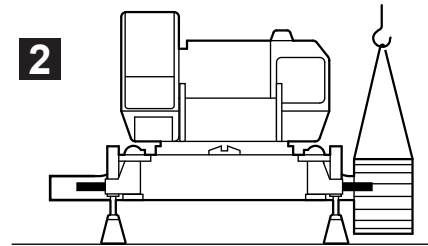
Attachments, counterweights and crawler frames can be dismantled to lighten the weight, shorten the width and lower the height of the base machine for convenient transportation.

1



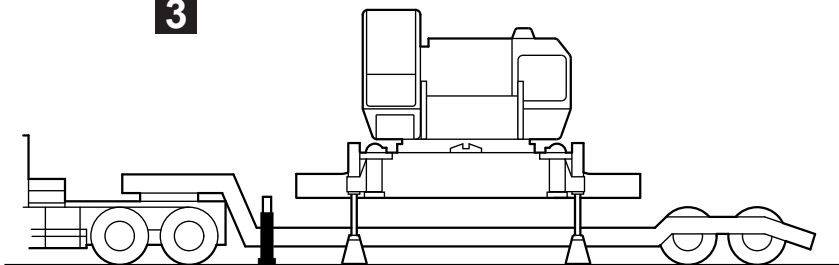
- Remove attachments and counterweights.
- Open and lock jack-up boom. (standard equipment)
- Disconnect hydraulic hoses of traction motor drive.
- Set pedestals on firm level ground.
- Lift up base machine slightly by jack-up cylinder.
- Suspend crawler frame (approx. 13ton) with another crane.
- Push out and remove crawler frame by lateral cylinder (standard equipment).

2



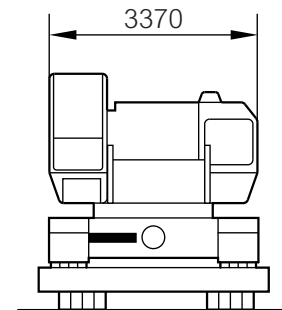
- Follow the same procedures to remove the other side of the crawler frame.

3



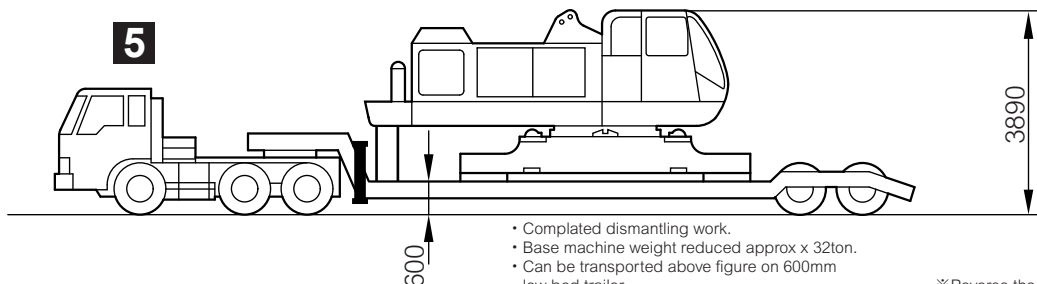
- Lift up base machine by jack-up cylinders to provide enough ground clearance for receiving trailer underneath.

4



- Retract jack-up cylinders to bring the base machine in contact with the trailer bed, then turn the superstructure 90° to direct the operator's cab in the opposite direction as trailer.

5



- Completed dismantling work.
- Base machine weight reduced approx x 32ton.
- Can be transported above figure on 600mm low bed trailer.

※Reverse the above procedures to re-assemble.

Optional Equipment

Moment limiter (overload prevention)
 Warning at 90% of rated load
 Warning at optionally set boom angle
 Shockless stop, load hoist and boom hoist or lowering at limited condition
 Insert boom (w/pendant cable) 3m, 6m, 9m
 13m basic jib, 3m, 6m insert (w/pendant rope)
 Auxiliary jib
 60 ton, 50 ton, and 30 ton hook block
 11 ton hook block for jib
 Combustion type heater

Air conditioner
 Wireless phone
 Yellow rotary light
 Boom point clearance light
 Bullhorn
 Catwalk
 Catwalk (w/handrail)
 Offlimit fence
 Electrical type level indicator
 Safety guard on boom
 Reeving winch
 Hydraulic type tagline

Rope guide roller on boom (additional)
 Drum roller
 Name plate (both side of outer boom and cab)
 Fire extinguisher
 Flash light for inspection
 Hoist drum mirror
 Boom foot pin cylinder
 Fulcrum plate for rising of attachment
 Monitor TV (watching rear left and drum)
 Monitor TV (watching lifting load)
 Large size tool box with caster
 Sling wire for disassembling and assembly

● **Four powerful, independently driven drum winches mounted on dual in-line shafts**

Main and auxiliary drums are located on the left side on front and rear shafts while jib hoist and boom hoist drums are on the right. Each drum is individually driven via a reduction unit from a variable displacement axial piston type hydraulic motor, delivering powerful winch performance.

(Front right drum is optional on applications other than the luffing jib crane.)



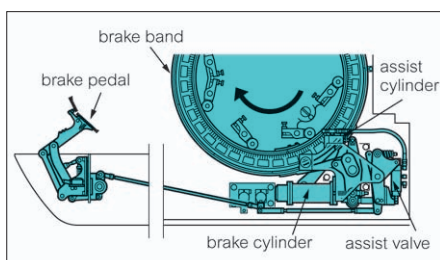
● **Power-efficient fully controlled hydraulic system**

Two variable displacement pumps and one gear pump incorporated into the engine provide the most effective application of engine output. Hydraulic flow and pressure are automatically regulated within maximum engine output, delivering high flow and low pressure for lighter loads, low flow and high pressure under heavy loading.



● **Fatigue-free brake operation**

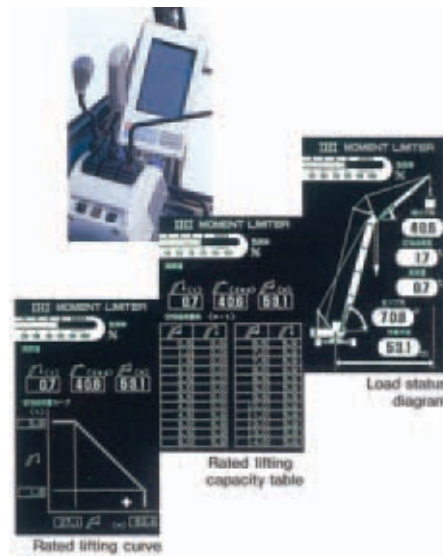
Hydraulically assisted main and auxiliary braking systems allow easy, delicate half-brake control.



● **Moment limiter (Option)**

The moment limiter has a graphic display with interactive screen. A panel switch lets the operator select from three display modes: load status diagram, rated lifting curve, and rated lifting capacity table.

When the actual load reaches 90% of rated lifting capacity, an intermittent warning buzzer sounds. At 100% of rated capacity, the buzzer sounds continuously, ceasing when load is hoisted or when boom is lowered. The moment limiter uses shockless control valves to slow and then stop the movement of boom or tower jib as they reach minimum or maximum operating angles. Boom angle limitations can be set by the operator, and the display blinks as a warning when these limits are reached.



● **Mode selector switch installed in control lever**

Control levers, pedals and switches are designed for easy operation. One-touch winch mode selector switches (foot/auto braking) are installed in the grips of main and auxiliary drum control levers. And an engine throttle control is built into the grip of the swing control lever, for fingertip command over engine speed.



● **Ultra-low-speed control for precision work**

Hydraulic pump delivery volume is controlled in conjunction with engine speed, supplemented by an independent swash-plate angle control dial. Together, these devices provide easy, accurate, seat-side control over delivery volume, for precise inching work.



● **OK monitor**

The OK monitor allows the operator to assess mechanical operating conditions at a glance, without leaving the seat. It includes bar graphs for water temperature, engine oil pressure and hydraulic oil temperature gauges, along with battery charging and air cleaner clogging information.

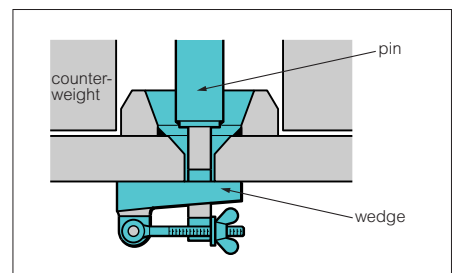


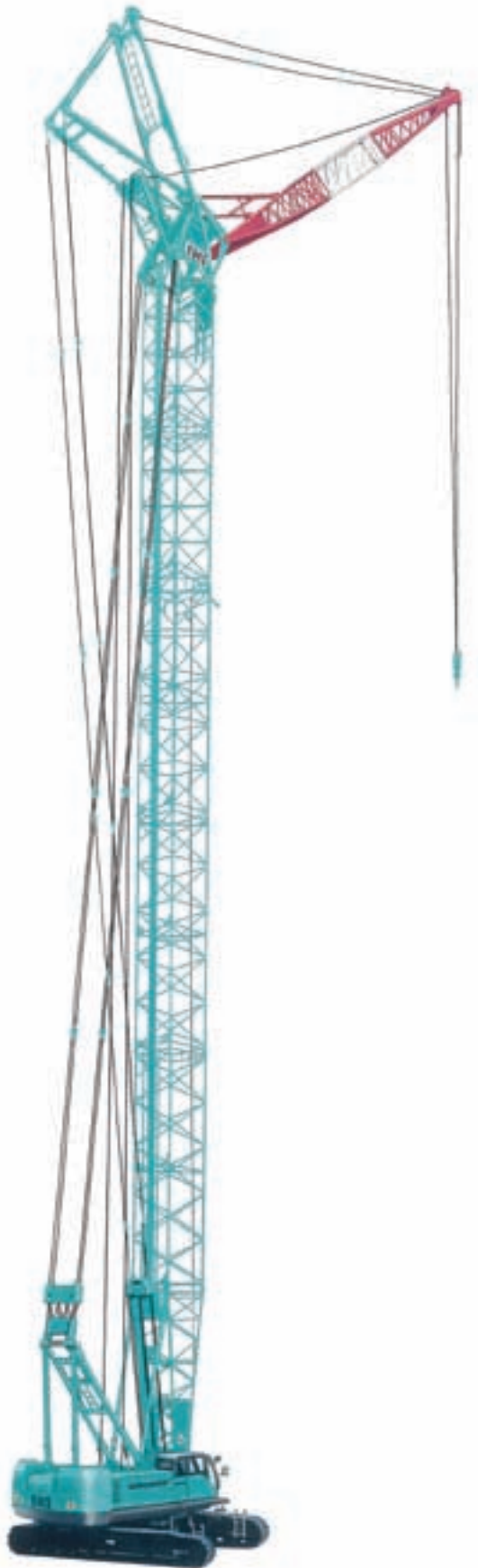
● **Fuel-efficient automatic engine deceleration system**

With the Auto-Decel selector engaged, the system senses hydraulic pressure, reducing engine speed to idle speed when the crane is inactive.

● **Stacking type counterweights**

Counterweights are stacked on the tail of the turntable, for excellent stability, efficient transport, and safe and easy assembly/disassembly. Weights—seven blocks of up to 14.7ton-- are secured directly to the turntable with pins and wedges.





IHI Construction Machinery Limited

Kishi-Tokai Bldg.,8-4-4, Nishikamata, Ota-ku, Tokyo 144-8577, JAPAN
Phone: 81-3-5714-8844 Fax: 81-3-5714-8840, 8841

Specifications are subject to change without notice due to technical improvements or modifications.
Distributed by

