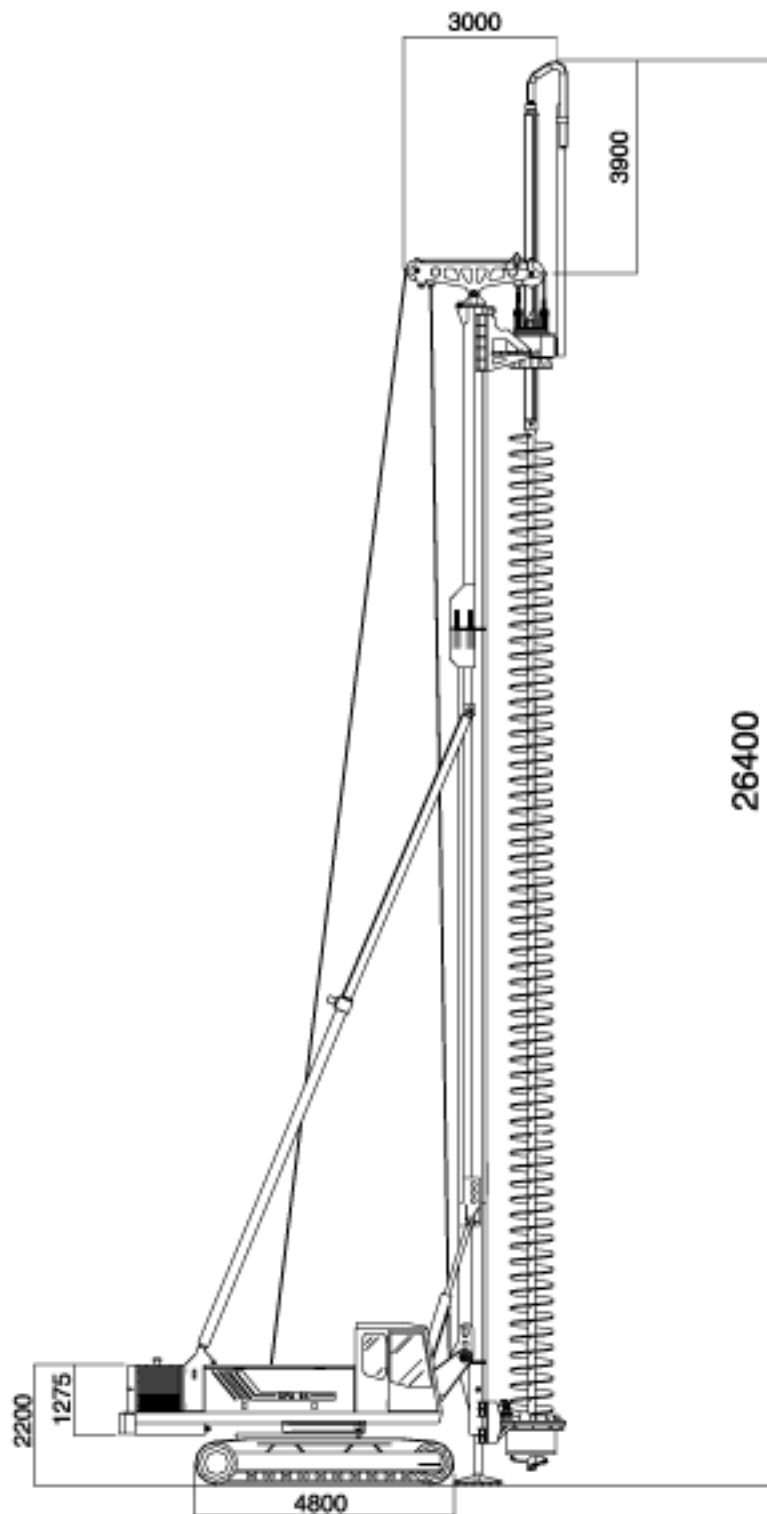


**MAIT**

# CFA 24



# CFA 24 DIMENSIONS



**HYDRAULIC MACHINE FOR:**

## TECHNICAL CHARACTERISTICS

### WORKS

Max diameter of the hole	800 mm
Max depth of the hole	19 + 5 = 24 m

### DIESEL ENGINE

Caterpillar 3306 Installed power Soundproofed	177 KW (240 CV) @ 2.100 rpm
---	-----------------------------

### ROTARY

Torque	13.240 daNm
Speed	11 - 34 rpm

### WINCHES

1 <sup>st</sup> winch pullback	12.000 daN
2 <sup>nd</sup> winch pullback	8.000 daN

### CRAWLER

Lenght	4.800 mm
Width (w/closed tracks)	2.700 mm
Width (w/open tracks)	4.000 mm
Shoes	800 mm

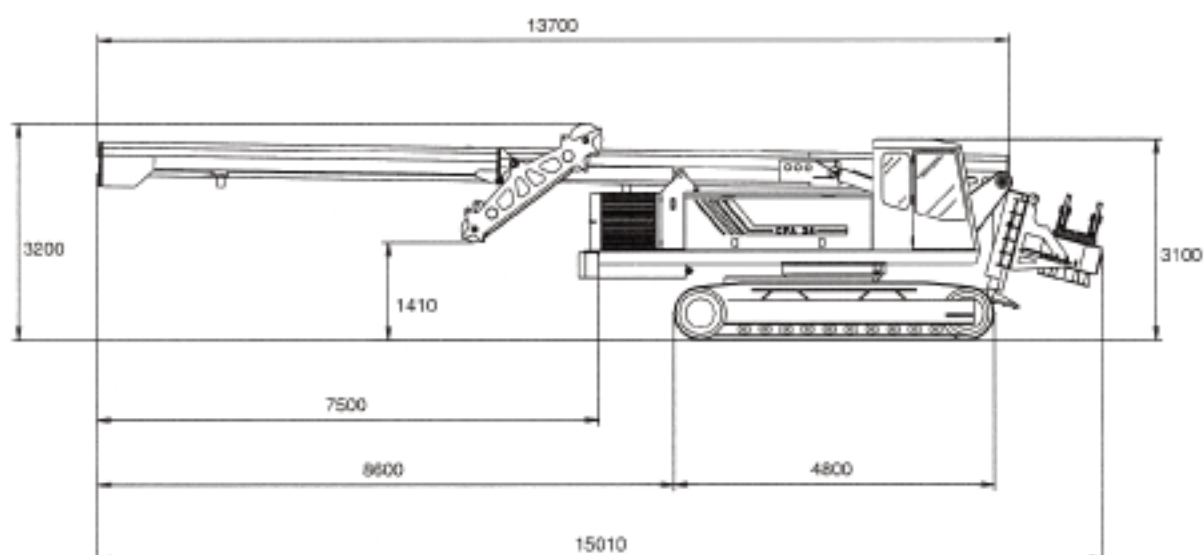
### VARIOUS

Hydraulic oil tank	470 l
Fuel tank	200 l

### WEIGHT

Total weight standard version	40 ton
-------------------------------	--------

## TRANSPORT



- Geleological research;
- Core drilling;
- Wire - line coring.



**Mait also manufactures:**

- ◆ Hydraulic drilling rigs of every size:
  - for piling, diaphragm walls, continuous flight augers
  - for water wells
  - for soil investigation, consolidation, civil engineering
  - jet grouting
- ◆ Casing oscillator
- ◆ Power packs
- ◆ Casing tubes
- ◆ Augers and buckets
- ◆ Hydraulic grabs for diaphragm walls
- ◆ Continuous flight auger
- ◆ Tremie pipes
- ◆ Teeth and bits for drilling tools



08/2000 All technical data indicated are to be considered as approximate. MAIT reserves the right to modify them opportunistically.

**MAIT S.p.A. MACCHINE INDUSTRIALI TRIVELLATRICI**

Via Flaminia Seconda n° 149/153 ◆ P.O.Box 39 ◆ 60027 OSIMO (AN) ITALIA

TEL. ++39 - 71 - 7822186 (12 linee ric. aut.) ◆ FAX ++39 - 71 - 780535

Web: <http://www.mait.it> ◆ E-mail: [info@mait.it](mailto:info@mait.it)

