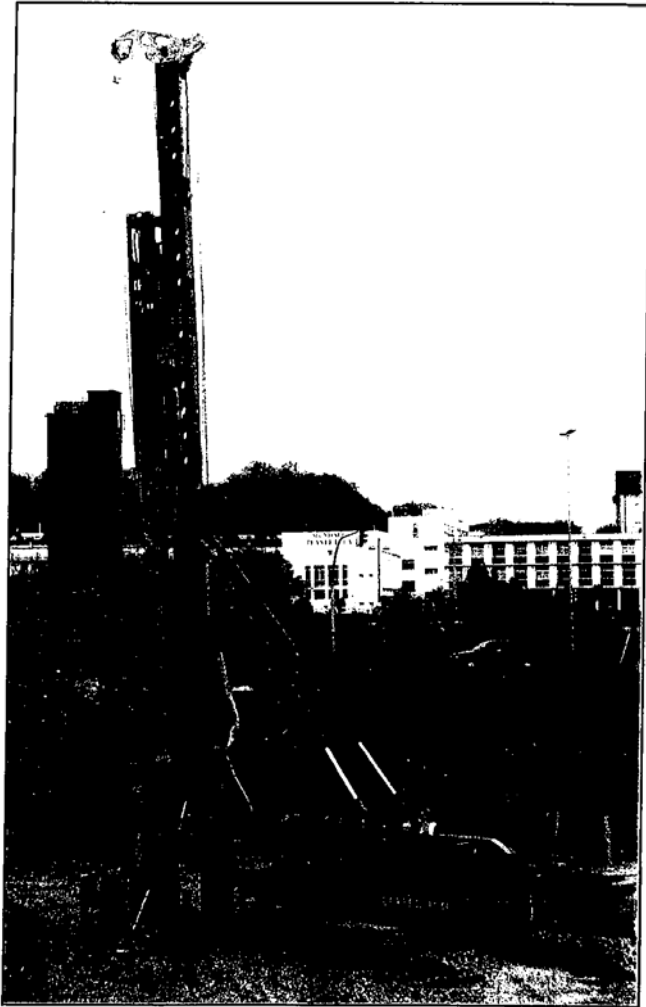


DATA SHEET

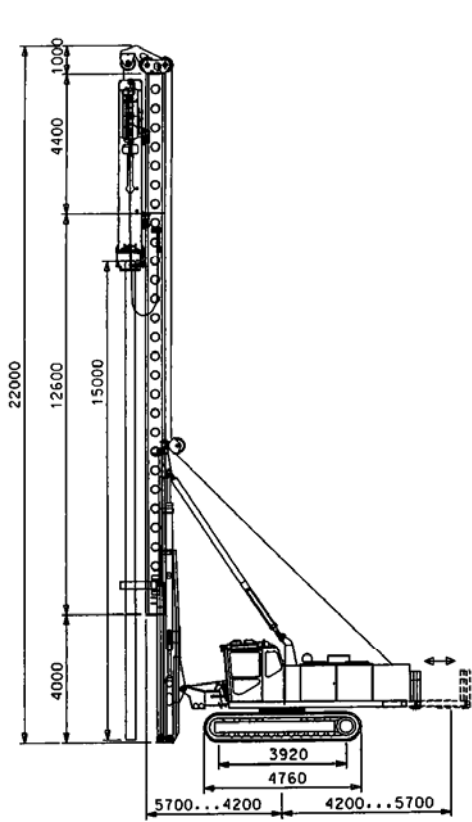
JUSTICE

PM 20

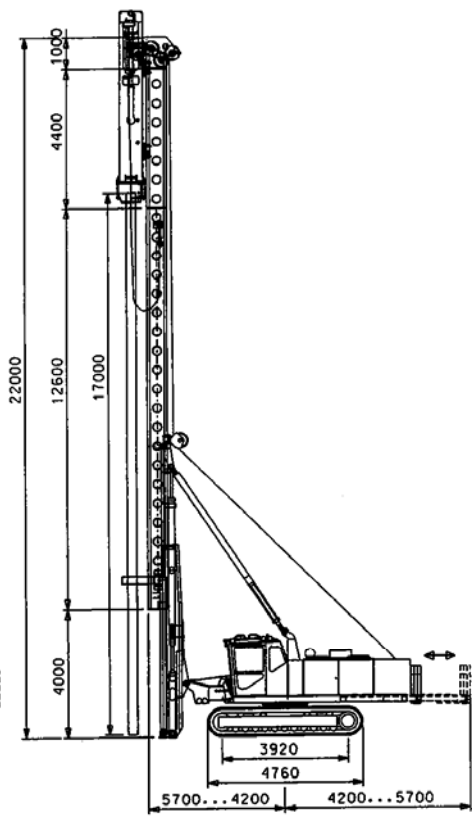
**Hydraulic Pile
Driving Rig**



Examples of optional equipment for PM 20 (optional equipment increase the total weight)	
Stabilizers (rear legs) Leader extra extension piece Additional winch (Aux. winch II) Pre-drill guides and JD3 side auger Side cathead Flat track shoes Tipping cabin Air conditioning for cabin Energy measuring device for hammer	2 m 5 ton torque 3 t/m tipping angle 15°

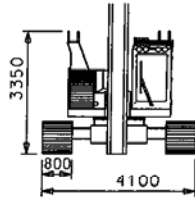


PM 20 + HHK-5A hammer with a standard cathead. (Working weight about 54700 kg)

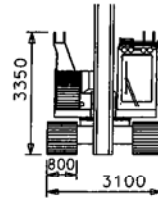


PM 20 + HHK-5A hammer with a side cathead. (Working weight about 55200 kg)

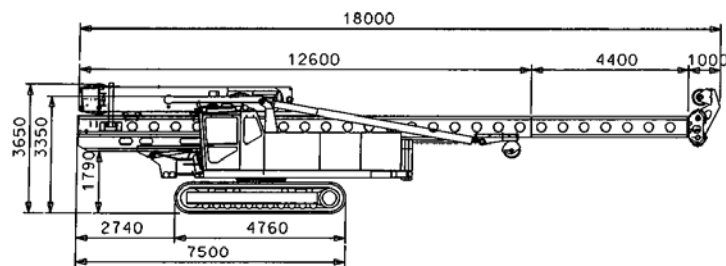
Transport Dimensions



Maximum track width.



Minimum track width.



PM 20 + HHK-5A hammer transport dimensions with the standard leader length.

JUNTTAN

JUNTTAN OY, Leväsentie 2, FIN-70700 KUOPIO, FINLAND
Mail Address P.O. Box 1702, FIN-70701 KUOPIO, FINLAND
Tel: +358 17 287 4400, Fax: +358 17 287 4411
www.junttan.com junttan@junttan.com