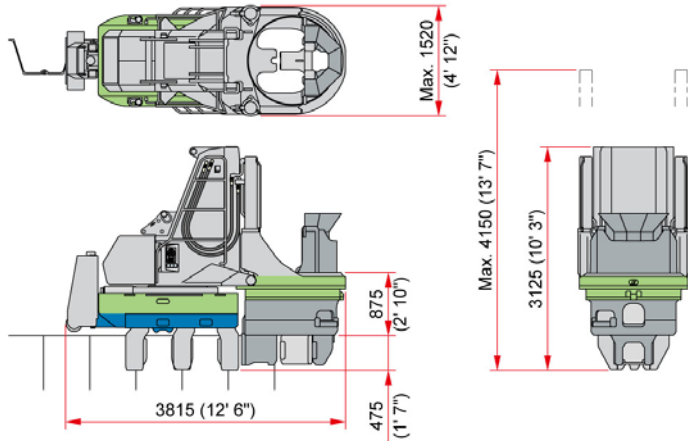
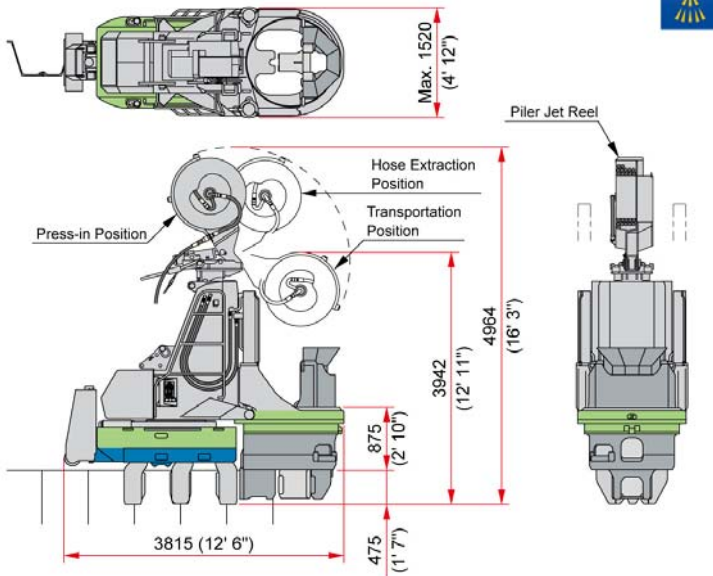


Super Crush SCZ-675SM

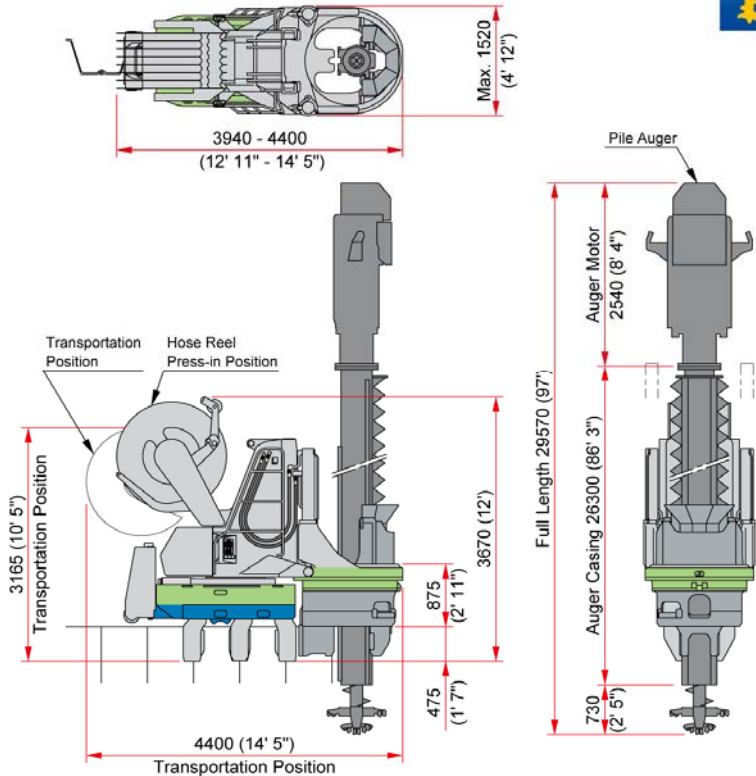
Standard Press-in Mode



Water Jetting Mode



Super Crush Mode



SCZ-675SM	Metric Unit	US Standard
Applicable Piles *	575 - 675 mm	22.64 - 26.57 in
Max. Press-in Force	Standard Mode	1 000 kN (102 tf) 112 tonf (US)
	Super Crush Mode	800 kN (82 tf) 90 tonf (US)
Max. Extraction Force	1 100 kN (112 tf)	124 tonf (US)
Stroke	1 200 mm	47.2 in
Pressing-in Speed	Standard Mode	3.0 - 39.4 m/min 9.8 - 129.3 ft/min
	Super Crush Mode	0.7 - 4.5 m/min 2.3 - 14.8 ft/min
Drawing-out Speed	Standard Mode	1.0 - 29.8 m/min 3.3 - 97.8 ft/min
	Super Crush Mode	1.0 - 4.1 m/min 3.3 - 13.5 ft/min
Power Unit Type	EU300C2 Crawler Unit	
Weight	15 500 kg	34 200 lb
Press-in Attachment	400 kg	900 lb

Piler Jet Reel	Metric Unit	US Standard
Weight	Piler Jet Reel 780 kg	1 720 lb
	Bracket 200 kg	440 lb

Pile Auger	Metric Unit	US Standard
Applicable Pile Length	Max. 21 m	Max. 69 ft
Max. Auger Torque	100 kN·m	73 800 ft-lbs
Max. Rotation Speed	22 min ⁻¹	22 rpm
Weight	15 600 kg	34 400 lb

Hose Reel	Metric Unit	US Standard
Hose Length	30 m (Max. 40 m)	98.4 ft (Max. 131 ft)
Hose Reel Rewind	Max. 5.5 kN	Max. 0.6 tonf (US)
Weight	2 300 kg	5 100 lb

Total Machine Weight	Metric Unit	US Standard
Standard Press-in Mode	15 900 kg	35 100 lb
Water Jetting Mode	16 880 kg	37 000 lb
Super Crush Mode	33 400 kg	73 600 lb