

PAJOT 1400 HAMMER

SPECIFICATIONS

Approx. weight (without guide)	1 400 kg
Approx. weight (with standard guide)	2 000 kg
Impact energy at 8 bars	700 kg.m
Blow rate	240 BPM
Air required flow rate	11 000 l./minute
Hose diameter	40 mm

This hammer can be fitted with :

- ▣▣▣ 1 rectangular anvil
- ▣▣▣ 1 square anvil
- ▣▣▣ Under water job



FURTHER INFORMATIONS - - -

Maximum practical load able to be exerted on a pile : 26 t.

Work capacity in an average ground :

- ▣▣▣ 400 mm single **sheet pile**,
10 à 11 meters in ground
(8 meters for double sheet piles)
- ▣▣▣ **Pointing closed tubes** diam.
250 mm, 20 meters in ground
- ▣▣▣ **Open tubes** diam. 350 mm,
11 meters in ground

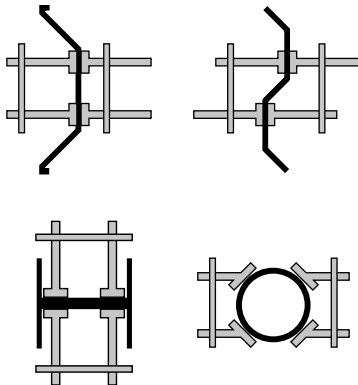


PAJOT 1400 HAMMERS

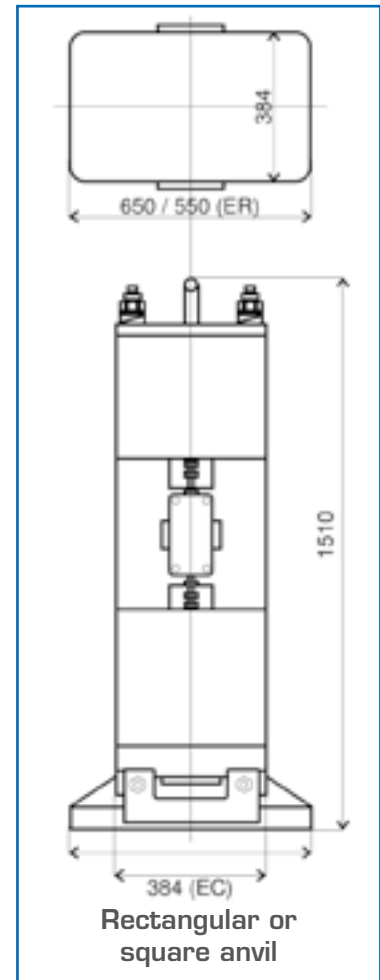
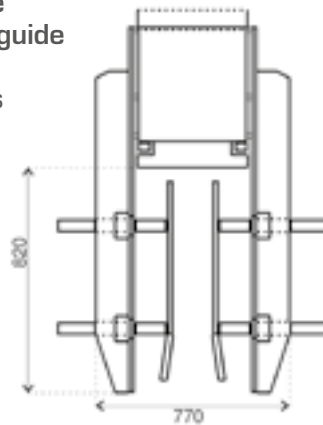
EQUIPMENTS

Specials guides on request, contact us

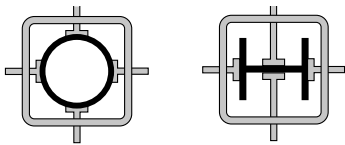
Adjustable standard guide :



Adjustable standard guide for sheet piles or H from 240 mm inside

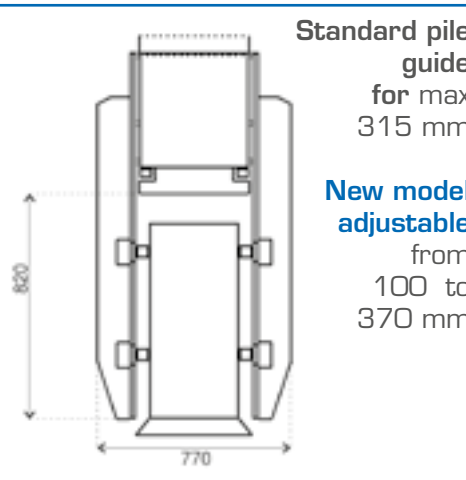


New adjustable pile guide :



Standard pile guide for max 315 mm

New model adjustable from 100 to 370 mm



Noise abatement cover available for all hammers

