

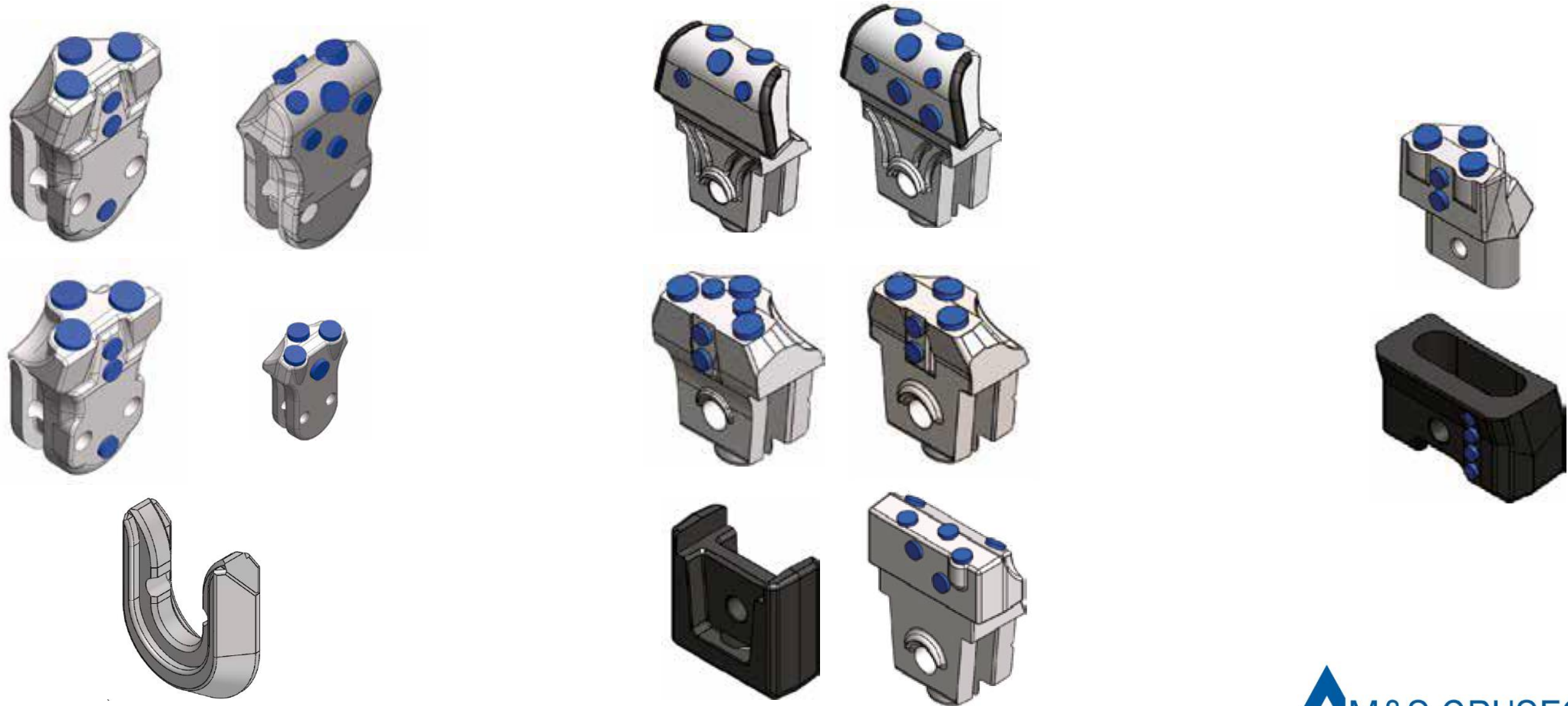


FOUNDATION DRILLING

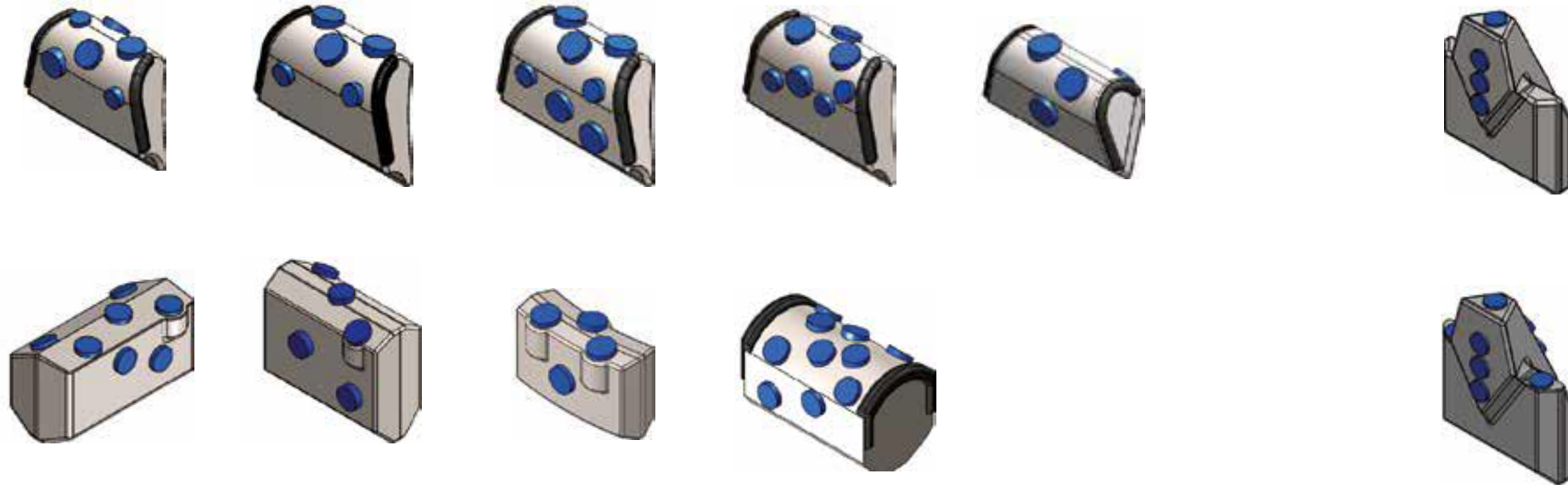
**TOOLS BY M&S
GRUSECK / TRISCAR**

28.09.2022

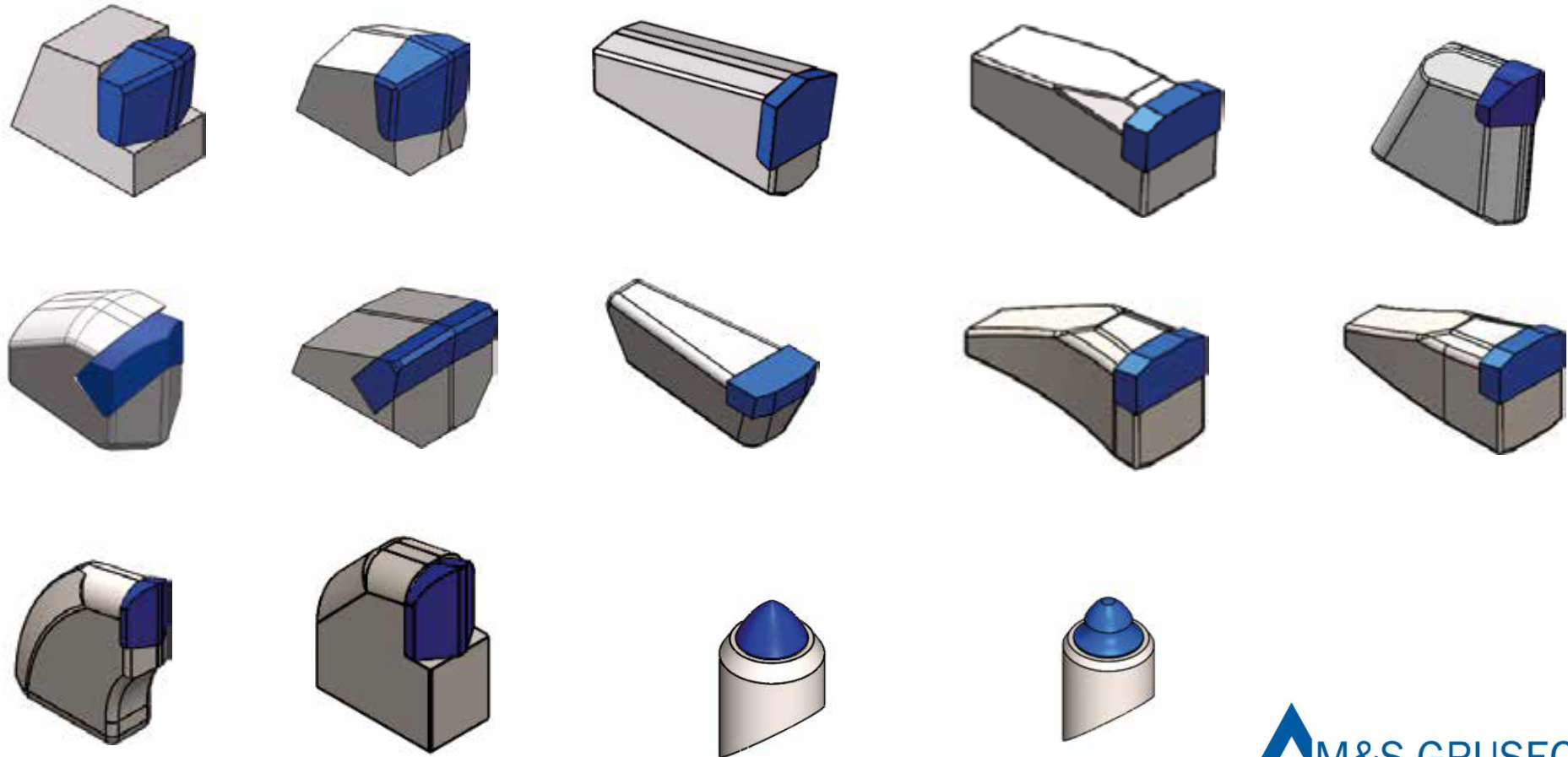
TOOLS – QUICK CHANGE TOOLS



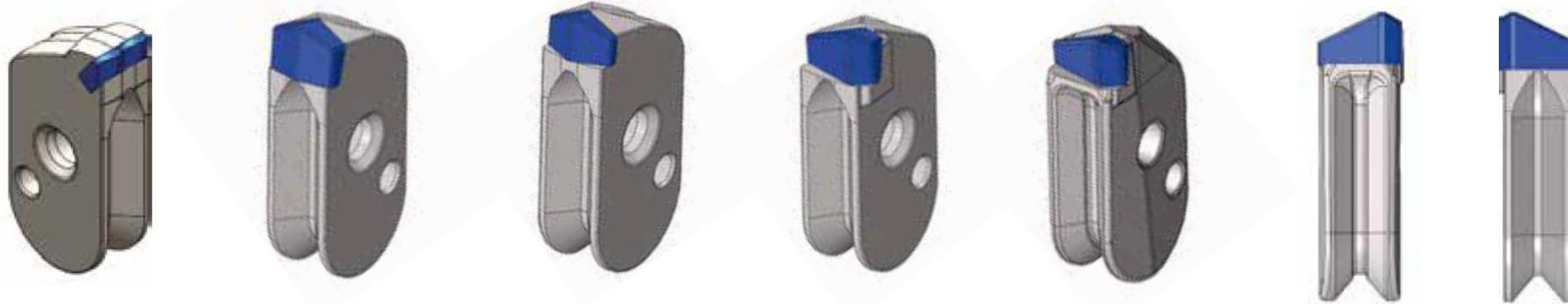
TOOLS – WELD ON BARS



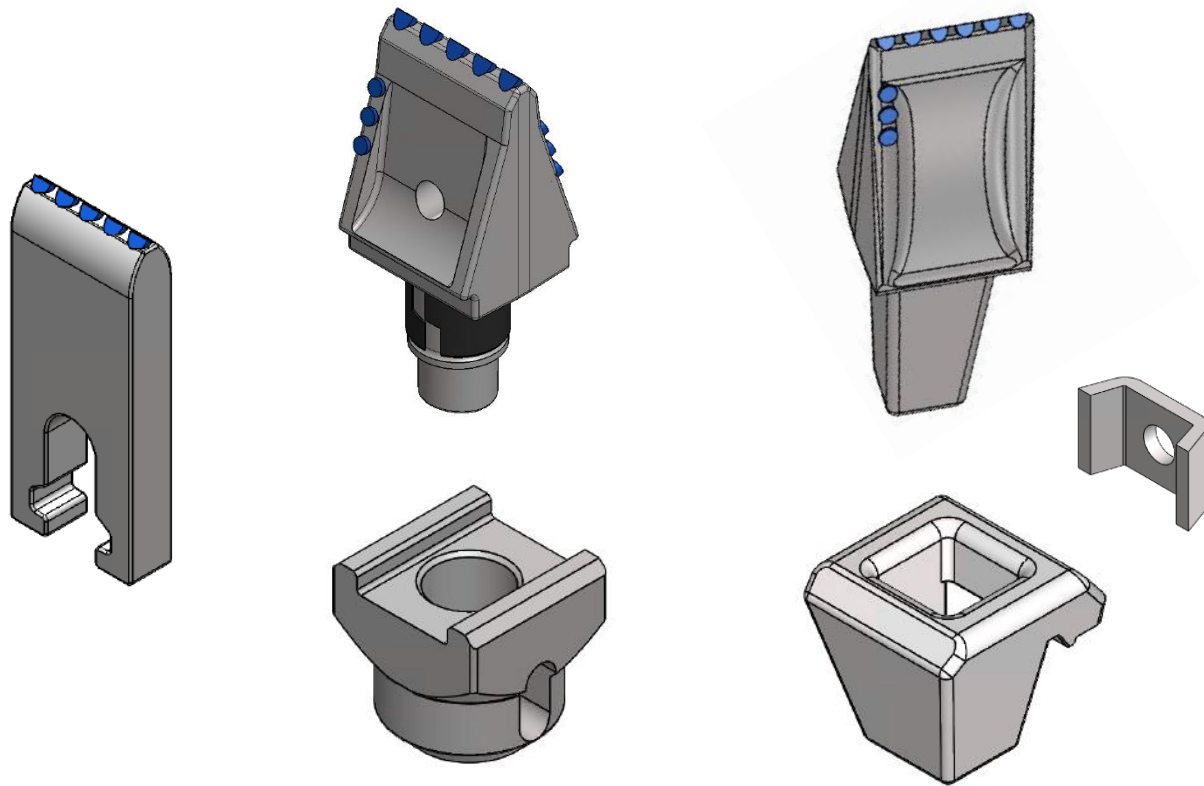
TOOLS – WELD ON TEETH



TOOLS - TRENCH WALL CUTTER



TOOLS - FLATTEETH



TOOLS - CONICALS



MARKET OVERVIEW – MACHINES AND COMPETITION

Drill Rigs (Bauer, Soilmec, Liebherr, CAT, Delmag, Casagrande, Mait):

- Tools for core barrels: Weld on bars, quick change teeth, screw connectors
- Tools for Augers: Conicals, Flat Teeth

Trench Wall Cutter (Bauer, Liebherr, Soilmec):

- Tools for Trench Wall Cutter: Trench Wall Cutter Teeth, Conicals

Competitors

- Betek / Bauer (Betek as well), else is mainly Chinese

TOOL SELECTION FACTS

- Size and application
- Rock type, strength, hardness, abrasivity
- Tool geometry, material and working condition
- Machine size, drilling/excavation equipment
- Cutting equipment geometry, bit spacing, lacing arrangement
- Space available on the cutting equipment – Tool quantities
- Cost of tools and their wear life

WHY M&S GRUSECK TOOLS - BENEFITS

HIGHEST QUALITY - MADE IN GERMANY

BEST PRICE - PERFORMANCE RATIO

FULL PRODUCT LINE

PRODUCTION, WAREHOUSE & LOGISTICS INHOUSE

SHORT LEADTIMES IN EUROPE

CUSTOMER & APPLICATION ORIENTED

CUSTOM SOLUTIONS POSSIBLE

ALTERNATIVE TO BAUER / BETEK



VISIT OUR WEBSITE & DOWNLOAD OUR CATALOGUES

