

**AVAILABLE  
FOR HIRE**



## **SMS PARS 80 Fixed Side Clamp Vibratory Hammer**

**On a Hyundai HX330L**

**Available for Hire Nationwide**

**Contact the Rental Team for rates and availability**

**Tel: 01789 292227**

**E-mail: [rental@agd-equipment.co.uk](mailto:rental@agd-equipment.co.uk)**

**For more information about AGD please visit [www.agd-equipment.co.uk](http://www.agd-equipment.co.uk)**

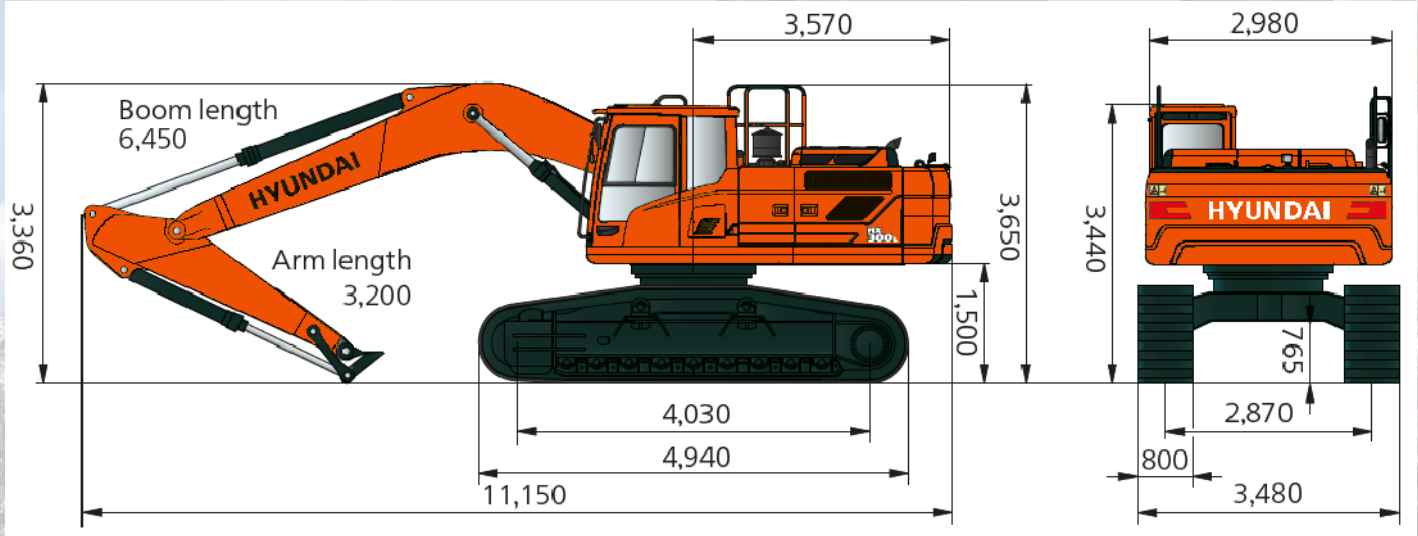


## Hyundai HX330L

|                         |              |
|-------------------------|--------------|
| Engine Make / Model     | Cummins QSL9 |
| Re-Filling              | Litre        |
| Fuel Tank               | 600          |
| Engine Coolant          | 55           |
| Engine Oil              | 30           |
| Swing Device            | 11           |
| Final Drive (each Tank) | 7.8          |
| Hydraulic Tank          | 414          |
| DEF/AdBlue              | 210          |
| Gradeability            | 35° (70%)    |



|  |        |
|--|--------|
| Transport Weight (Ex Attachments) (Kg) | 34,450 |
| Operating Weight including SMS (Kg)    | 37,950 |



### SMS PARS 80 Fixed Side Clamp

|                                      |              |                 |              |
|--------------------------------------|--------------|-----------------|--------------|
| Centrifugal Force (kN)               | 604          |                 |              |
| Total Weight (Kg) *Excluding Adaptor | 3,500        |                 |              |
| Total Length (mm)                    | 1,350        |                 |              |
| Total Width (mm)                     | 1,422        |                 |              |
| Total Height (mm)                    | 2,560        |                 |              |
| Flow (Lt/min)                        | 240          |                 |              |
| Working Pressure (bar)               | 300          |                 |              |
| Rotation-Swing Angles (°)            | 360-30       |                 |              |
| Sheet Piles                          | 400 - 1200mm | 12/16m Length   | Max 2,850 Kg |
| H Beam                               | H180 - H500  | 12/16m Length   | Max 2,850 Kg |
| Tubular Pile, Tubes                  | 244 - 762mm  | 12/16m Length   | Max 2,850 Kg |
| Wood Piles                           | 150 - 630 mm | 8/10/12m Length | Max 2,850 Kg |