



AGD Equipment Limited

SALES • RENTAL • SERVICE • PARTS

MINI CRANES

CRAWLER CRANES

TELESCOPIC CRANES

**PILING RIGS
AND EQUIPMENT**

01789 292227

info@agd-equipment.co.uk

AGD Equipment Limited
Avonbrook House
198 Masons Road
Stratford-upon-Avon
Warwickshire
CV37 9LQ
United Kingdom



HITACHI EX-75UST Specification

www.agd-equipment.co.uk

Zaxis 75UST

HITACHI

Reliable solutions

ZAXIS 75UST

Telescopic Crawler Crane



Model Code:

ZX75UST

Engine Rated Power:

40.5 kW

Operating Weight:

9 680 kg

Max. lifting capacity:

4 900 kg

Rated total load x Working radius:

4.9 tons x 2.1 m

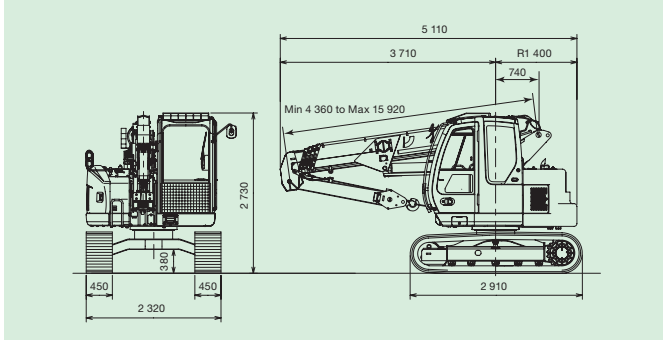
Moment Limiter

To prevent tipping-over due to overload, sounds buzzer and stops crane operation automatically (hook hoisting, boom lowering and boom extending) when reaching the limit. Indicates digitally the rated load, actual load, height limit above ground, working radius, boom length and boom angle.

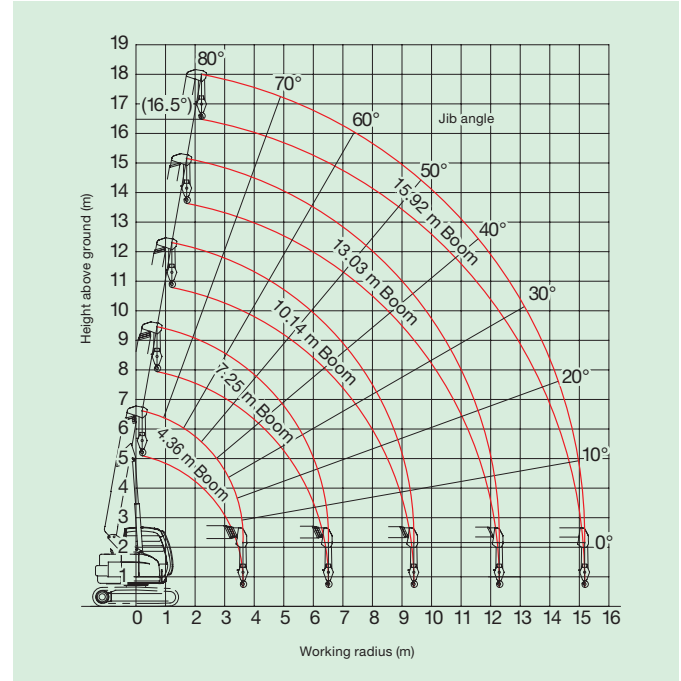


Dimensions

Unit: mm



Working Range Diagram



Note:
The working ranges shown are determined with the machine under no-load condition, excluding jib deflection. In crane operation with lifted load, jib angle range is restricted to 0° to 80°.

Specifications

		ZAXIS75UST Grouser shoe
Operating weight	kg	9 680
Overall transport length	mm	5 110
Max. lifting load X working radius	tXm	4.9 X 2.1
Max. hook lift above ground level	m	16.5 *(4 reeving)
Max. hook lift below ground level	m	24.5 *(4 reeving)
Boom length	m	4.36-15.92
Boom hoist angle	degree	-8°-80°
Boom hoisting speed	s	13.0 (-8°-80°)
Boom extending speed	m/s	11.6 / 24.5
Hoisting rope speed	m/min	High 104 / Low 52
Hoisting rope	φmm/m	10 X 120
Swing speed	min ⁻¹ (rpm)	2.5 (2.5)
Travel speed	km/h	3.3
Engine	Model	Isuzu CC-4JG1
	Rated output	kW/min ⁻¹ (PS/rpm)

Gross Rated Capacity (4 reeving)

Unit: kg

working radius (m)	Boom length (m)							
	4.36		7.25		10.14		15.92	
	static lift.	travelling lift.	static lift.	travelling lift.	static lift.	travelling lift.	static lift.	static lift.
2.00	4 900 kg x 2.10 m	2 000 kg x 2.10 m	4 900 kg x 2.10 m	2 000 kg x 2.10 m				
2.50	3 910	1 955	3 850	1 925	2 930	1 465		
3.00	2 980	1 490	2 950	1 475	2 810	1 405	1 740	1 400 kg
3.50	2 300	1 150	2 350	1 175	2 250	1 125	1 760	x 3.70 m
4.00	2 300 kg x 3.62 m	1 100 kg x 3.62 m	1 930	965	1 900	950	1 770	1 400
4.50			1 620	810	1 600	800	1 580	1 320
5.00			1 370	685	1 400	700	1 350	1 220
5.50			1 160	580	1 180	590	1 170	1 110
6.00			1 020	510	1 030	515	1 040	1 010
6.50			920	460	900	450	920	930
7.00					820	410	820	850
8.00					680	340	680	710
9.00					520	260	560	600
10.00					500 kg x 9.40 m	250 kg x 9.40 m	470	500
11.00							400	420
12.00							360	360
13.00							340 kg x 12.29 m	310
14.00								270
15.00								240
16.00								240 kg x 15.18 m

Notes:

- The rated loads are determined according to EN13000 rating on the condition that the machine is stationed on firm, level ground
- The load to be actually lifted is the listed total load minus sling fittings such as hook. (hook 4,9 ton; weight 95 kg)

These specifications are subject to change without notice.

Illustrations and photos show the standard models, and may or may not include optional equipment, accessories, and all standard equipment with some differences in color and features. Before use, read and understand the Operator's Manual for proper operation.