



**AGD Equipment Limited**

SALES • RENTAL • SERVICE • PARTS

**MINI CRANES**

**CRAWLER CRANES**

**TELESCOPIC CRANES**

**PILING RIGS  
AND EQUIPMENT**

**01789 292227**

**info@agd-equipment.co.uk**

AGD Equipment Limited  
Avonbrook House  
198 Masons Road  
Stratford-upon-Avon  
Warwickshire  
CV37 9LQ  
United Kingdom



# **NCB FD280 Rotary & CFA Specification**

[www.agd-equipment.co.uk](http://www.agd-equipment.co.uk)



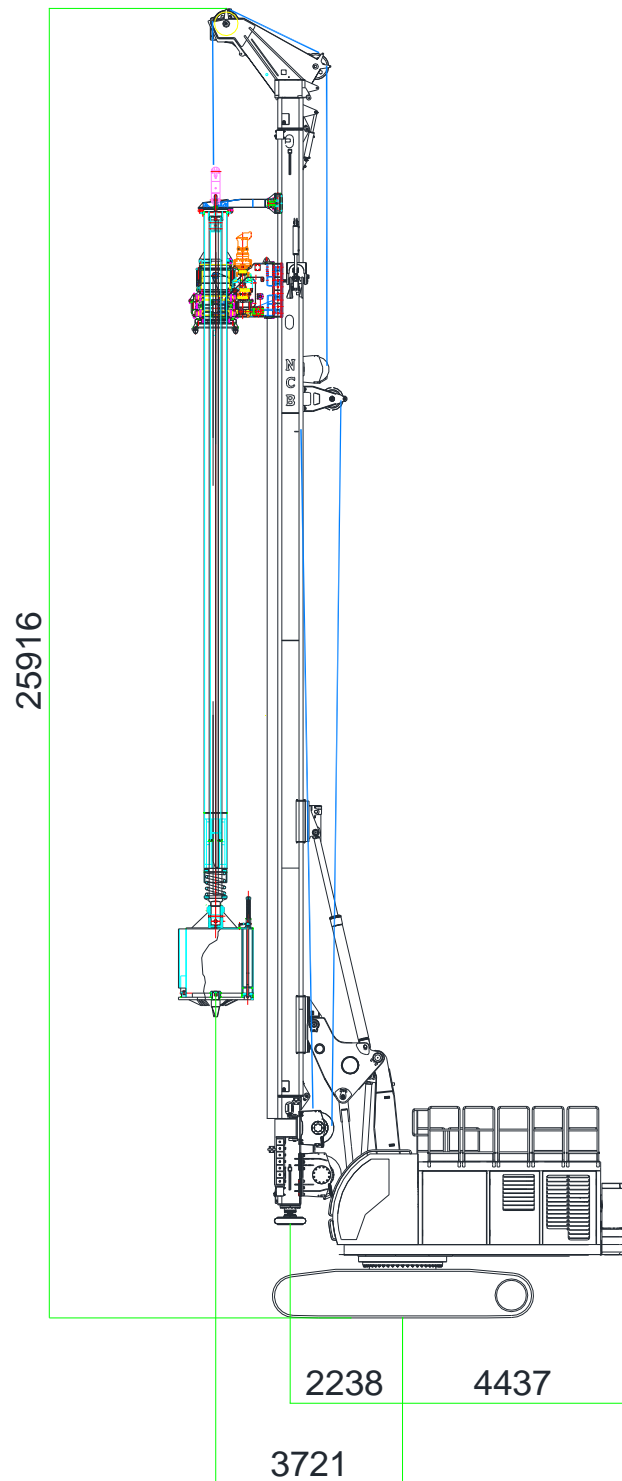
AGD Equipment Limited

## NCB FD280 Piling Rig

<b>Undercarriage:</b>	
Width Tracks Closed	2980 mm
Width Tracks Open	4500 mm
Track Pad Width	800 mm
Overall Length	6023 mm
Contact Length	5160 mm
<b>Engine:</b>	
Make	Volvo Penta
Model	TAD 1383 VE
Emission Rating	Stage V
Power @1900rpm	345 kW
Electrical System	24 V
Fuel Tank Capacity	760 L
<b>Weights:</b>	
Transport Weight:	
Operation Weight:	

## NCB FD280 – Rotary Mode

<b>Mast – LDP Configuration:</b>	
Total Length	25916 mm
Telescopic Foot Stroke	1600 mm
Counter Slide Stroke	2500 mm
Mast Lateral Inclination	5° +/-
Mast Forward Inclination	5°
Mast Backwards Inclination	5°
<b>Pull-down System:</b>	
Type	Winch
Push/Pull (2 <sup>nd</sup> Line Pull)	330 kN
Slow Speed	7.5 m/min
Fast Speed	28 m/min
LDA Stroke	10 m
CFA Stroke	21.5 m
<b>LDP Performance:</b>	
Maximum Drilling Depth	71 m
Installed Kelly Bar	42 m Depth (4 x 12 m)
Maximum Diameter (Cased)	1600 mm
Maximum Diameter (Uncased)	1900 mm
<b>Rotary Head:</b>	
Model	T-28000
Maximum Torque	28177 daNm
Drilling Speed	7 – 33 rpm
Spin-Off Speed	66 rpm
Number Of Hydraulic Motors	4
<b>Winches:</b>	
Main Winch - (Controlled decent type)	
Maximum Pulling Force (1 <sup>st</sup> Layer)	25000 daN
Maximum Speed	55 m/min
Rope Diameter	30mm
Auxiliary Winch	
Maximum Pulling Force (1 <sup>st</sup> Layer)	8000 daN
Maximum Speed	65 m/min
Rope Diameter	18mm



## NCB FD280 – CFA Mode

Drilling Depth	21 m
Maximum Drilling Depth With 8m Extension	29 m
Extraction Force	10000 kN
Maximum Drilling Diameter	1200 mm
Maximum Drilling Depth upto 1000mm Dia	29 m
Maximum Drilling Depth upto 1200mm Dia	20 m

