



**AGD Equipment Limited**

SALES • RENTAL • SERVICE • PARTS

**MINI CRANES**

**CRAWLER CRANES**

**TELESCOPIC CRANES**

**PILING RIGS  
AND EQUIPMENT**

**01789 292227**

**info@agd-equipment.co.uk**

AGD Equipment Limited  
Avonbrook House  
198 Masons Road  
Stratford-upon-Avon  
Warwickshire  
CV37 9LQ  
United Kingdom



# **Sennebogen 613E Specification**

[www.agd-equipment.co.uk](http://www.agd-equipment.co.uk)

		CABLE REEVING AND MAX. LOAD CAPACITY					
CAPACITY [t]	WEIGHT [kg]	5	4	3	2	1	
17.5 t (2-roll)	180 kg	17,500 kg	14,000 kg	10,500 kg	7,000 kg	3,500 kg	for main boom
10.5 t (1-roll)	100 kg			10,500 kg	7,000 kg	3,500 kg	for main boom

## CRANE EQUIPMENT

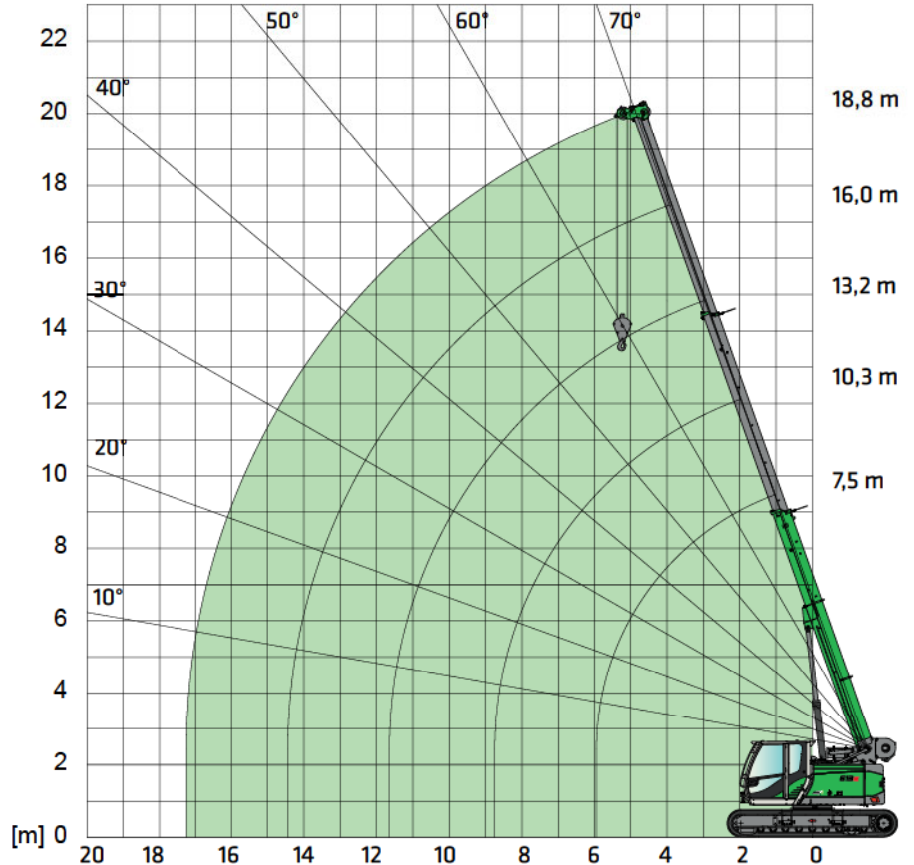


**MAIN BOOM  
HA 18.8 m**



**Notes:**

- The specified load ratings given apply when the machine is on a firm and level surface.
- The load ratings apply to 613 R with telescoped crawler undercarriage (track 3000 mm), the load ratings in brackets ( ) for telescoped crawler undercarriage (track 1880 mm).
- The load ratings take the DIN 15019.2 and ISO 4305 standards into account.
- The weight of the load handling equipment (hooks, suspension gear) should be deducted from the load capacities.
- Load capacities must be limited or reduced in adverse conditions such as soft or uneven ground, slopes, wind, side loads, swinging loads, jolts or sudden stopping of loads, personnel and operators not experienced in handling loads.
- Permissible cable pull per strand in crane mode for a cable diameter of 14 mm is 3,500 kg.
- Load capacities marked with a \* only apply with specific equipment.
- The load ratings given are for reference only. Please refer to the tables in the operating instructions for the relevant applicable load ratings.

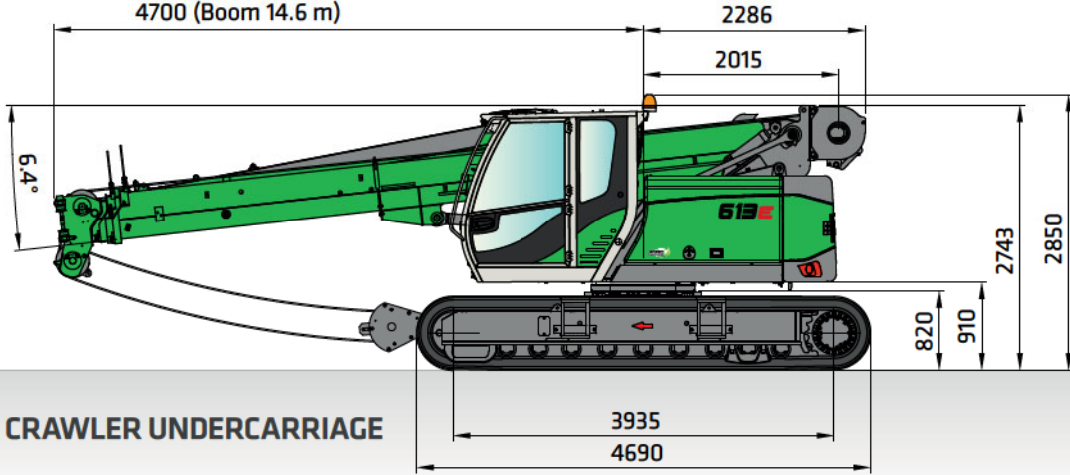


REACH [m]	BOOM LENGTH [m]				
	7.5	10.3	13.2	16.0	18.8
2.0	15.0 (12.0)				
3.0	13.3 (8.3)	10.0 (8.4)			
4.0	10.6 (5.3)	10.0 (5.3)	8.0 (5.4)		
5.0	8.5 (3.7)	8.6 (3.8)	8.0 (3.8)	6.0 (3.9)	
5.5	7.5 (3.2)	7.6 (3.4)	7.4 (3.4)	6.0 (3.4)	4.5 (3.4)
6.0	5.7 (2.9) / 6.0 m	6.7 (2.9)	6.7 (2.9)	5.9 (2.9)	4.5 (2.9)
7.0		5.2 (2.3)	5.3 (2.3)	5.2 (2.3)	4.5 (2.3)
8.0		4.2 (1.8)	4.3 (1.8)	4.3 (1.8)	4.1 (1.9)
9.0		3.6 (1.5) / 8.8 m	3.5 (1.5)	3.6 (1.5)	3.6 (1.5)
10.0			3.0 (1.2)	3.0 (1.2)	3.0 (1.2)
11.0			2.6 (1.0)	2.6 (1.0)	2.6 (1.0)
12.0			2.4 (0.9) / 11.6 m	2.2 (0.8)	2.3 (0.8)
13.0				2.0 (0.7)	2.0 (0.7)
14.0				1.7 (0.6)	1.7 (0.6)
15.0				1.6 (-) / 14.4 m	1.5
16.0					1.3
17.0					1.1 / 17.3 m

Table no.: 613R-HD/18.8/75/1703(453)/4.1/08.06

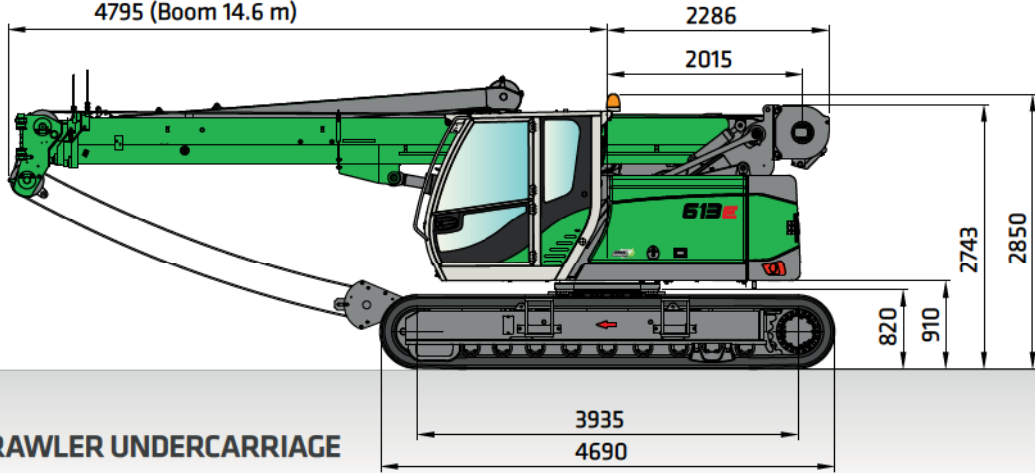
## TRANSPORT DIMENSIONS

6100 (Boom 18.8 m)  
4700 (Boom 14.6 m)



613 WITH CRAWLER UNDERCARRIAGE

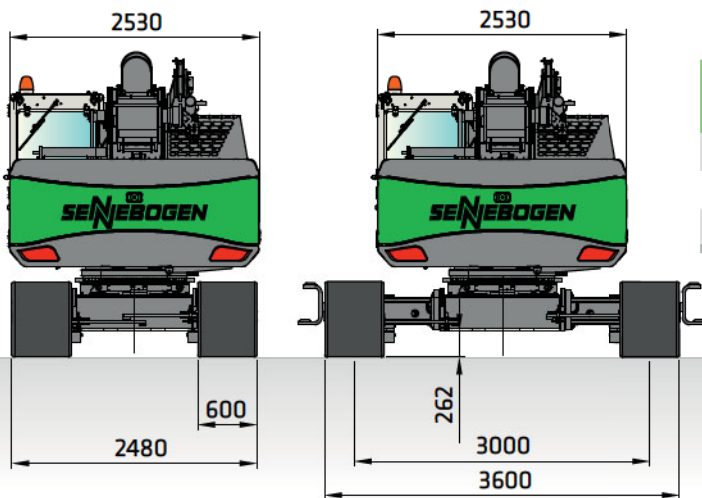
6195 (Boom 18.8 m)  
4795 (Boom 14.6 m)



613 WITH CRAWLER UNDERCARRIAGE

**i** Transport width: 2.53 m

Can be transported without special authorization



BASE PLATES	MIN. TRANSPORT WIDTH
600 mm	2530 mm
700 mm	2600 mm
800 mm	2700 mm

Dimensions in [mm]