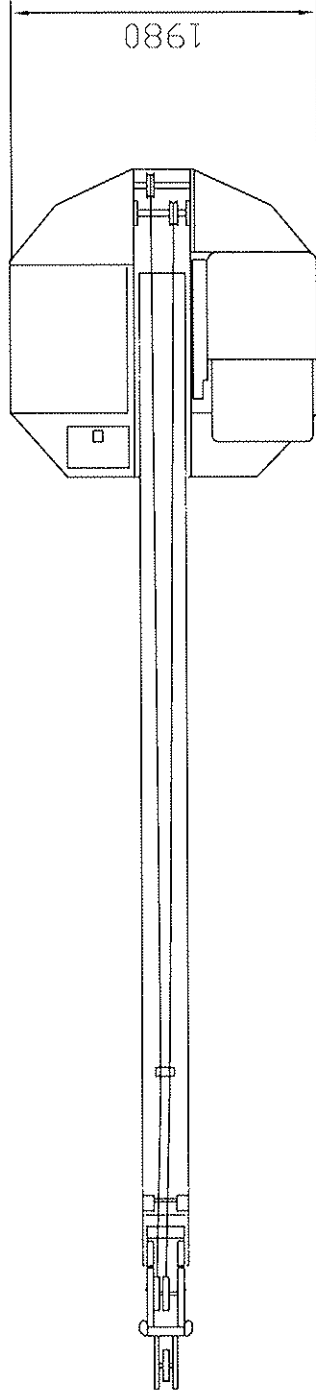
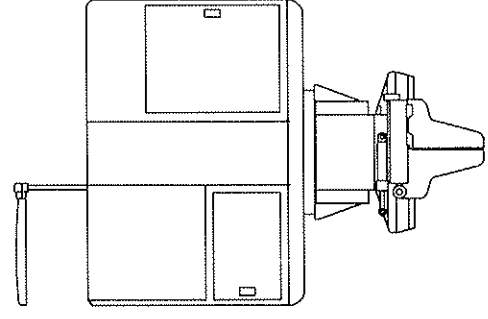
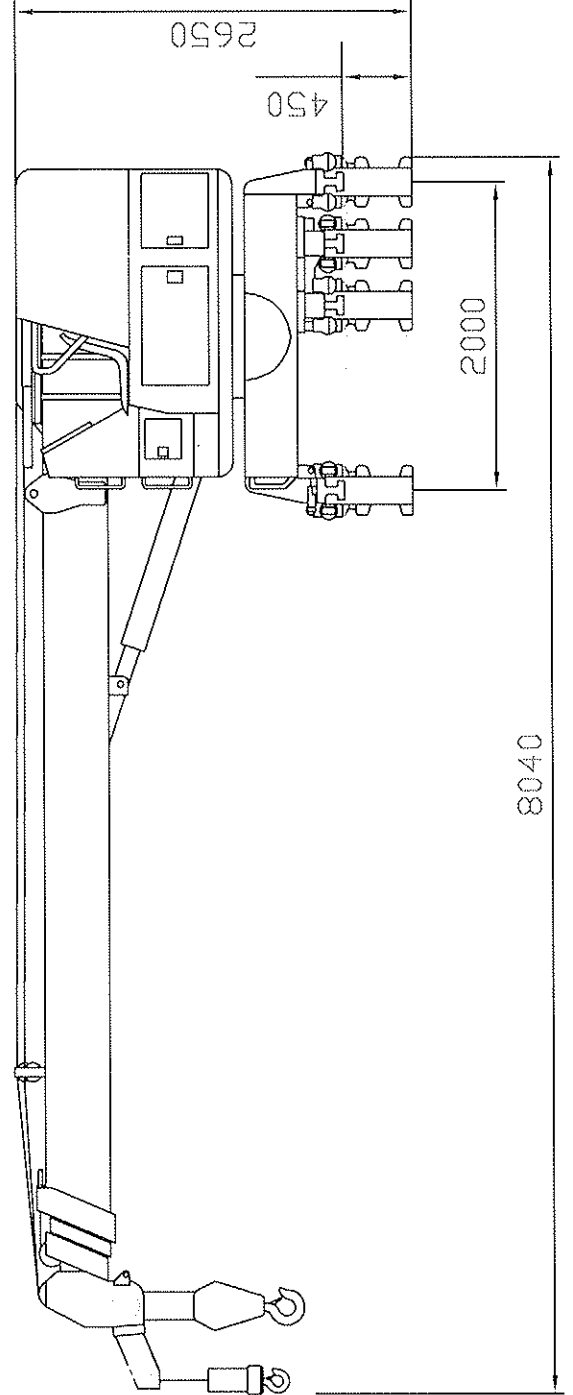


# Clamp Crane CB2-5 (7t)



Specification	
Lifting Capacity	7.0 ton x 2.5 m
Max. Working Radius	0.17 ton x 20.5 m
Power Source	Diesel Engine
Rated Output	294 kW (30 PS)
Reaction Pile Range	400 mm pitch
Operation	Crane
	Self-moving
Weight	7,000 kg



## Clamp Crane CB2-5 (7ton) Lifting Capacities

(in metric tons)

Working \ Boom Length (m)	6.6m	11.5m	16.4m	21.3m
2.0	(7.00)			
2.5	(7.00)			
3.0	(6.10)	4.90		
3.5	(5.30)	4.90	3.90	
4.0	4.55	4.50	3.60	
4.5	3.75	3.85	3.30	2.00
5.0	3.15	3.25	3.05	2.00
5.5	2.70	2.80	2.80	1.85
6.0	2.35	2.45	2.45	1.75
7.0		1.90	1.95	1.45
8.0		1.55	1.55	1.25
9.0		1.25	1.30	1.10
10.0		1.05	1.10	0.95
10.9		0.90	0.90	0.90
12.0			0.75	0.78
13.0			0.65	0.70
14.0			0.55	0.60
15.0			0.45	0.52
15.8			0.40	0.45
17.0				0.37
18.0				0.31
19.0				0.25
20.0				0.20
20.5				0.17

