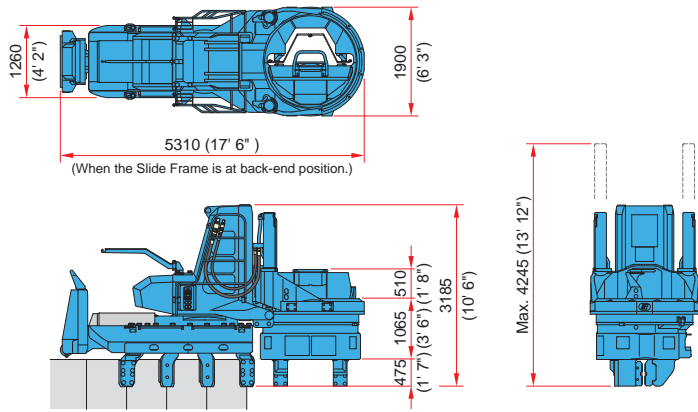
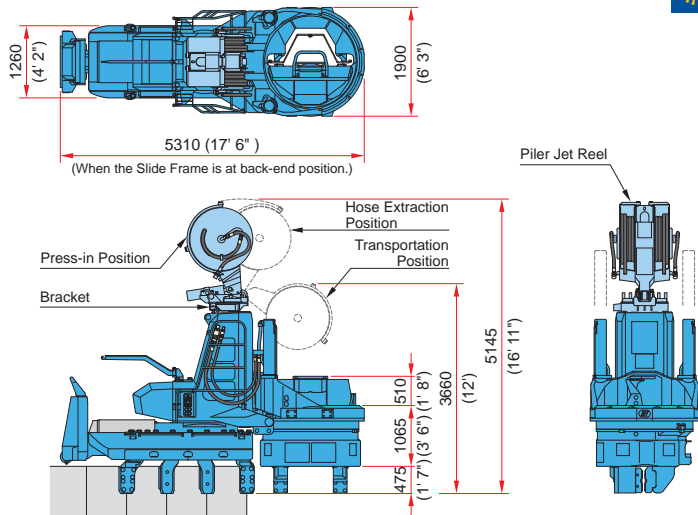


### Super Crush SCZ-675WMG

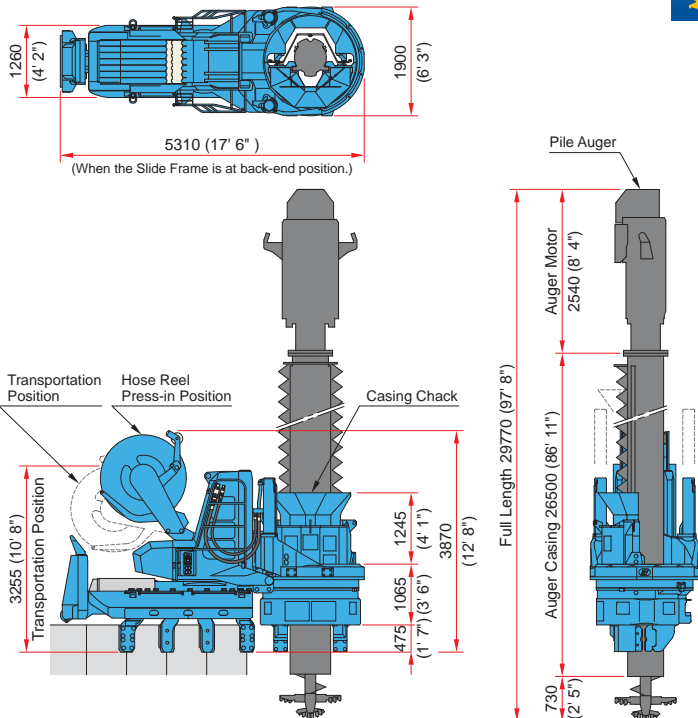
Standard Press-in Mode



### Water Jetting Mode



### Super Crush Mode



SCZ-675WMG	Metric Unit	US Standard
Applicable Piles *1	560 - 708 mm	22.05 - 27.87 in
Max. Press-in Force	1 300 kN (133 tf)	
For First Sheet Pile	1 300 kN (133 tf)	146.1 tonf (US)
For Second Sheet Pile	400 kN ( 41 tf)	45.0 tonf (US)
At Corner Work	700 kN ( 72 tf)	78.7 tonf (US)
Max. Extraction Force		
For First Sheet Pile	1 400 kN (143 tf)	157.4 tonf (US)
For Second Sheet Pile	500 kN ( 51 tf)	56.2 tonf (US)
At Corner Work	800 kN ( 82 tf)	89.9 tonf (US)
Stroke	1 200 mm	47.24 in
Single Press-in Speed	2.1 - 23.2 m/min	6.9 - 76.1 ft/min
Single Extraction Speed	1.7 - 18.9 m/min	5.6 - 62.0 ft/min
Power Unit Type	EU300C2 Crawler Unit	

\*1 Refer to the list of "Applicable Sheet Piles".

Piler Jet Reel	Metric Unit	US Standard
Mass	Piler Jet Reel 1 350 kg	3 000 lb
	Bracket 280 kg	620 lb

Hose Reel	Metric Unit	US Standard
Hose Length	30 m (Max. 40 m)	98.4 ft (Max. 131 ft)
Hose Reel Rewind	Max. 5.5 kN	Max. 0.6 tonf (US)
Mass	2 750 kg	6 100 lb

Pile Auger	Metric Unit	US Standard
Applicable Pile Length	Max. 21 m	Max. 69 ft
Max. Auger Torque	100 kN·m	73 800 ft-lb
Max. Rotation Speed	22 min <sup>-1</sup>	22 rpm
Mass	18 400 kg	40 600 lb

Total Machine Mass	Metric Unit	US Standard
Standard Press-in Mode	22 350 kg	49 300 lb
Water Jetting Mode	23 980 kg	52 900 lb
Super Crush Mode*2	27 400 kg	60 500 lb

\*2 Excluding Pile Auger.

Specifications are subject to alteration without prior notice.

# Applicable Sheet Piles for SCZ675WM /SCZ675WM-G Modified Machine

## Abbreviations

<b>ST</b>	Standard Mode
<b>WJ</b>	Water Jetting Mode
<b>SC</b>	Super Crush Mode

⊙	Applicable
○	Applicable with some limitation

Z Sheet Pile	Section Width (mm)	SCZ675WM		SCZ675WM-G	
		ST/WJ	SC	ST/WJ	SC
<b>ArcelorMittal</b>					
AZ46	580	⊙	⊙	⊙	⊙
AZ48		⊙	⊙	⊙	⊙
AZ50		⊙	⊙	⊙	⊙
AZ17	630	⊙	⊙	⊙	⊙
AZ18		⊙	⊙	⊙	⊙
AZ18 10/10		⊙	⊙	⊙	⊙
AZ19		⊙	⊙	⊙	⊙
AZ25		⊙	⊙	⊙	⊙
AZ26		⊙	⊙	⊙	⊙
AZ28	670	⊙	⊙	⊙	⊙
AZ12		⊙	—	⊙	—
AZ13		⊙	—	⊙	—
AZ13 10/10		⊙	—	⊙	—
AZ14	700	⊙	—	⊙	—
AZ12-700R		—	—	⊙	—
AZ13-700R		—	—	⊙	—
AZ13-700R-10/10		—	—	⊙	—
AZ14-700R		—	—	⊙	—
AZ17-700		—	—	⊙	⊙
AZ18-700		—	—	⊙	⊙
AZ19-700		—	—	⊙	⊙
AZ20-700		—	—	⊙	⊙
AZ24-700		—	—	⊙	⊙
AZ26-700		—	—	⊙	⊙
AZ28-700		—	—	⊙	⊙
AZ36-700N		—	—	⊙	⊙
AZ38-700N		—	—	⊙	⊙
AZ40-700N	—	—	⊙	⊙	
<b>Hoesch</b>					
H 1205	575	⊙	—	⊙	—
H 1205K		⊙	—	⊙	—
H 1255		⊙	—	⊙	—
H 1605		⊙	⊙	⊙	⊙
H 1705		⊙	⊙	⊙	⊙
H 1705K		⊙	⊙	⊙	⊙
H 1755		⊙	⊙	⊙	⊙
H 1805		⊙	⊙	⊙	⊙
H 2305		⊙	⊙	⊙	⊙
H 2405		⊙	⊙	⊙	⊙
H 2505		⊙	⊙	⊙	⊙
H 2555K		⊙	⊙	⊙	⊙
H 2555		⊙	⊙	⊙	⊙
H 2605		⊙	⊙	⊙	⊙
H 1807	700	—	—	⊙	⊙
H 2607		—	—	⊙	⊙
<b>Gerdau Ameristeel</b>					
PZ22	560	—	—	⊙	—
PZC18	635	⊙	⊙	⊙	⊙
PZC19		⊙	⊙	⊙	⊙
PZC13	708	—	—	⊙	—
PZC14		—	—	⊙	—
PZC25		—	—	⊙	⊙
PZC26		—	—	⊙	⊙
PZC28		—	—	⊙	⊙

U Sheet Pile	Section Width (mm)	SCZ675WM		SCZ675WM-G	
		ST/WJ	SC	ST/WJ	SC
<b>ArcelorMittal</b>					
PU12	600	—	—	⊙	—
PU12 10/10		—	—	⊙	—
PU18-1.0		—	—	⊙	—
PU18		—	—	⊙	—
PU22-1.0		—	—	⊙	—
PU22		—	—	⊙	—
PU28-1.0		—	—	⊙	—
PU28		—	—	⊙	—
PU32		—	—	⊙	—
PU13R		675	—	—	—
PU14R	—		—	—	—
PU15R	—		—	—	—
AU14	750	—	—	—	—
AU16		—	—	—	—
AU17		—	—	—	—
AU18		—	—	—	—
AU20		—	—	—	—
AU21		—	—	—	—
AU23		—	—	—	—
AU25		—	—	—	—
AU26		—	—	—	—
<b>Hoesch</b>					
L603	600	—	—	⊙	—
L603K		—	—	⊙	—
L603 10/10		—	—	⊙	—
L604		—	—	⊙	—
L604n		—	—	⊙	—
L605		—	—	⊙	—
L605K		—	—	⊙	—
L606n		—	—	⊙	—
L607n		—	—	⊙	—
L703		700	—	—	⊙
L703K	—		—	⊙	—
L703 10/10	—		—	⊙	—
L704	750	—	—	⊙	—
L755		—	—	—	—

Specifications are subject to alternation without prior notice.