



IHC FUNDEX CD20D Compact drill rig

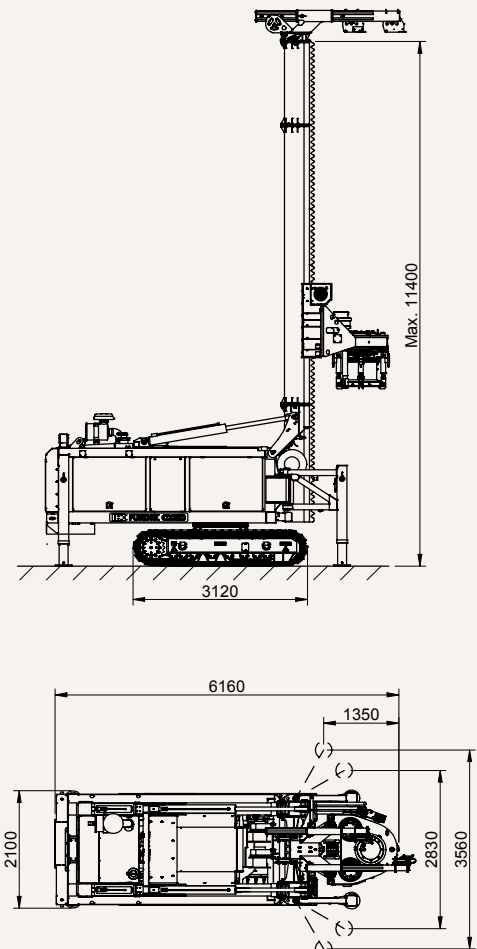


The IHC FUNDEX CD20D is a compact foundation machine for making various drilled piles in places where space and height is limited.

Despite the compact design the machine is powerful and can be equipped with different rotary heads up to 200kNm. The four outriggers enable the machine to be lifted up to rotate the undercarriage in the driving direction to avoid spragging and damage to the working platform.

CD20D in brief

- suitable for job sites where space and height is limited
- deployable for jobs within buildings
- modular leader set-up enables optimum leader length for every job site
- machine is available with remote control unit
- optimum view for the operator on the work process
- broad scope of pile techniques including, soil displacement, CFA and Kelly drilling
- one machine can be equipped with a 120kNm, 160kNm or 200kNm rotary head
- rotary stays on the machine during transport
- four outriggers for stability and to lift the machine
- machine can also be equipped with other tools like a vibratory hammer and a hydraulic impact hammer.



The technology innovator.



IHC FUNDEX CD20D Compact drill rig

CD20D

Working dimensions, min. (LxWxH)	6160 x 2000 x 2890mm
Working dimensions, max. (LxWxH)	6305 x 2600 x 11700mm
Transport dimensions (LxWxH)	9500 x 2000 x 2900mm
Operational weight, approx	22 tonnes
Pull-up / pull-down capacity	70 / 140 kN
Max. rake position forward	8°
Max. rake position backward	18°
Engine power	160kW
Max. oil flow machine functions	280L/min
Max. oil flow rotary head	280L/min
Max. pressure	320bar
Auxiliary winch	2,5mt
Control system	Electronic – PLC control with CAN bus with remote control

Options

- IHC FUNDEX FDA data acquisition system for monitoring the process
- modem for remote diagnostics
- 2nd auxiliary winch
- under carriage with adjustable track width and/or flat plates
- top jib on leader head
- spotter
- two outriggers on rotary head to increase pull-up
- inserts for clamping system for various casing diameters.

CDE rotary heads	CDE12 rotary head	CDE16 rotary head	CDE20 rotary head
Max. torque	120kNm	160kNm	200kNm
Rotation	8 - 20rpm	7,5 - 19rpm	6 - 13rpm
Max. flow	280L/min	280L/min	280L/min
Max. pressure	320bar	320bar	320bar
Clamp for casing	Ø 219 - 324mm	Ø 273 - 406mm	Ø 273 - 406mm



All rights reserved. Reproduction in any form or by any means is not allowed, without prior permission in writing from IHC Merwede Holding BV.

IHC Fundex Equipment BV

P.O. Box 83, 4460 AB Goes
Houtkade 50, 4463 AC Goes
The Netherlands

T +31 113 23 29 00
F +31 113 21 26 30

sales.fe@ihcmerwede.com
www.ihcmerwede.com | www.ihcfundex.com

The technology innovator.