

IHC FUNDEX CD30DS Compact drill rig

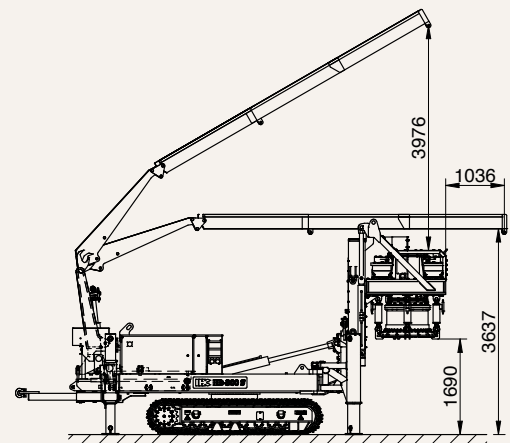
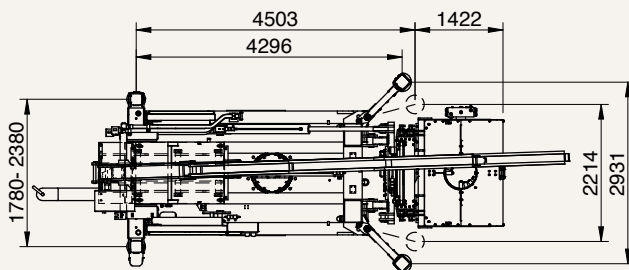


The IHC FUNDEX CD30DS is a compact foundation machine for making casing screw piles with or without grout injection in places where space and height is limited.

Thanks to the separate power pack on tracks, the machine is very compact. The CD30DS is equipped with a rotary head with an impressive torque of 300kNm and a clamping system for casings up to \varnothing 457mm. Besides that it has an onboard hydraulic crane, which makes this machine fully self-supporting.

Advantages

- suitable for job sites where space and height is limited
- deployable for jobs within buildings
- controllable with one remote control unit
- rotary head with torque of max. 300kNm
- clamping system for casing up to \varnothing 457mm
- rake positions forward, backward and sideward possible
- hydraulic driven double reel system between machine and power pack.



IHC FUNDEX CD30DS Compact drill rig

CD30DS

Working dimensions (LxWxH)	6532 x 2600 x 2562mm
Transport dimensions (LxWxH)	5300 x 2100 x 2970mm
Operational weight	24 tonnes
Pull-up/down capacity	150kN
Max. rake position forward	14:1 (=4°)
Max. rake position backward	1:1 (=45°)
Max. rake position sideward	5:1 (=11°)
Electronic - PLC control with CAN-bus	

CDE30 rotary head with clamping system

Max. torque	300kNm
Rotation	10-20rpm
Standard casing length (vertical drilling)	6m
Standard casing weight	850kg
Max. stroke	1,8m
Max. flow	800L/min
Max. pressure	280 bar
Clamp for casing	∅ 273-457mm

F90 crane

Max. capacity	82kNm
---------------	-------

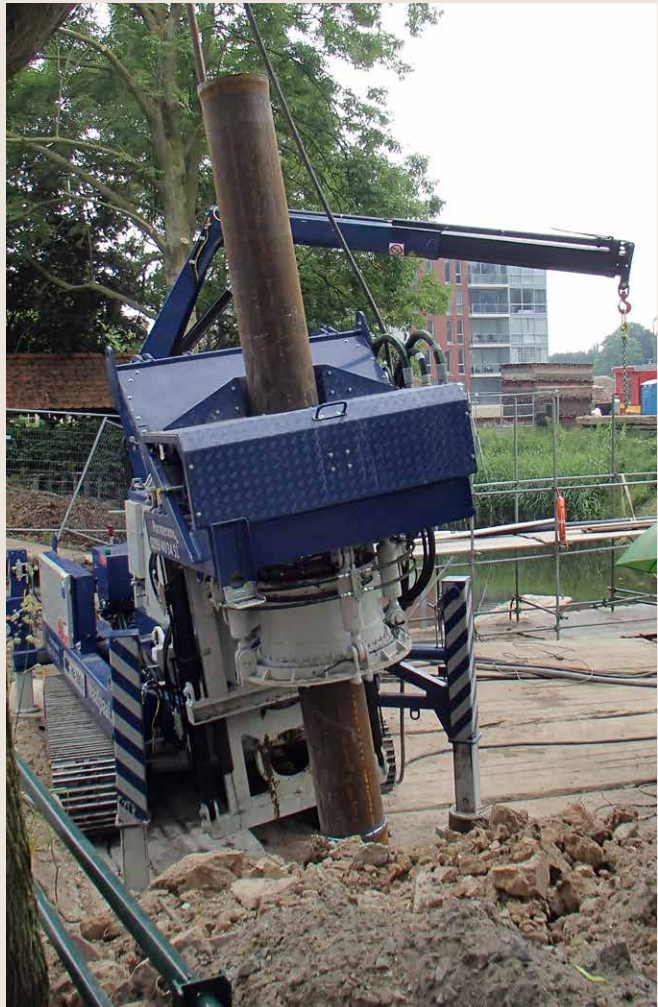
CPP565 power pack

Working dimensions (LxWxH)	5985 x 2000 x 2892mm
Operational weight	14 tonnes
Max. oil flow	800L/min
Engine power	565kW
Reel system	two parts, hydraulic driven
Length hydraulic hoses	25m

The machine, crane and power pack can be controlled through one remote control unit.

Options

- IHC FUNDEX FDA data acquisition system for monitoring the process
- modem for remote diagnostics
- inserts for clamping system for various casing diameters
- small removable power pack of 60kW for manoeuvring the rig independent from CPP565.



All rights reserved. Reproduction in any form or by any means is not allowed, without prior permission in writing from IHC Merwede BV

IHC Fundex Equipment BV

P.O. Box 83, 4460 AB Goes
Houtkade 50, 4463 AC Goes
The Netherlands

T +31 113 23 29 00
F +31 113 21 26 30

sales.fe@ihcmerwede.com
www.ihcmerwede.com | www.ihcfundex.com