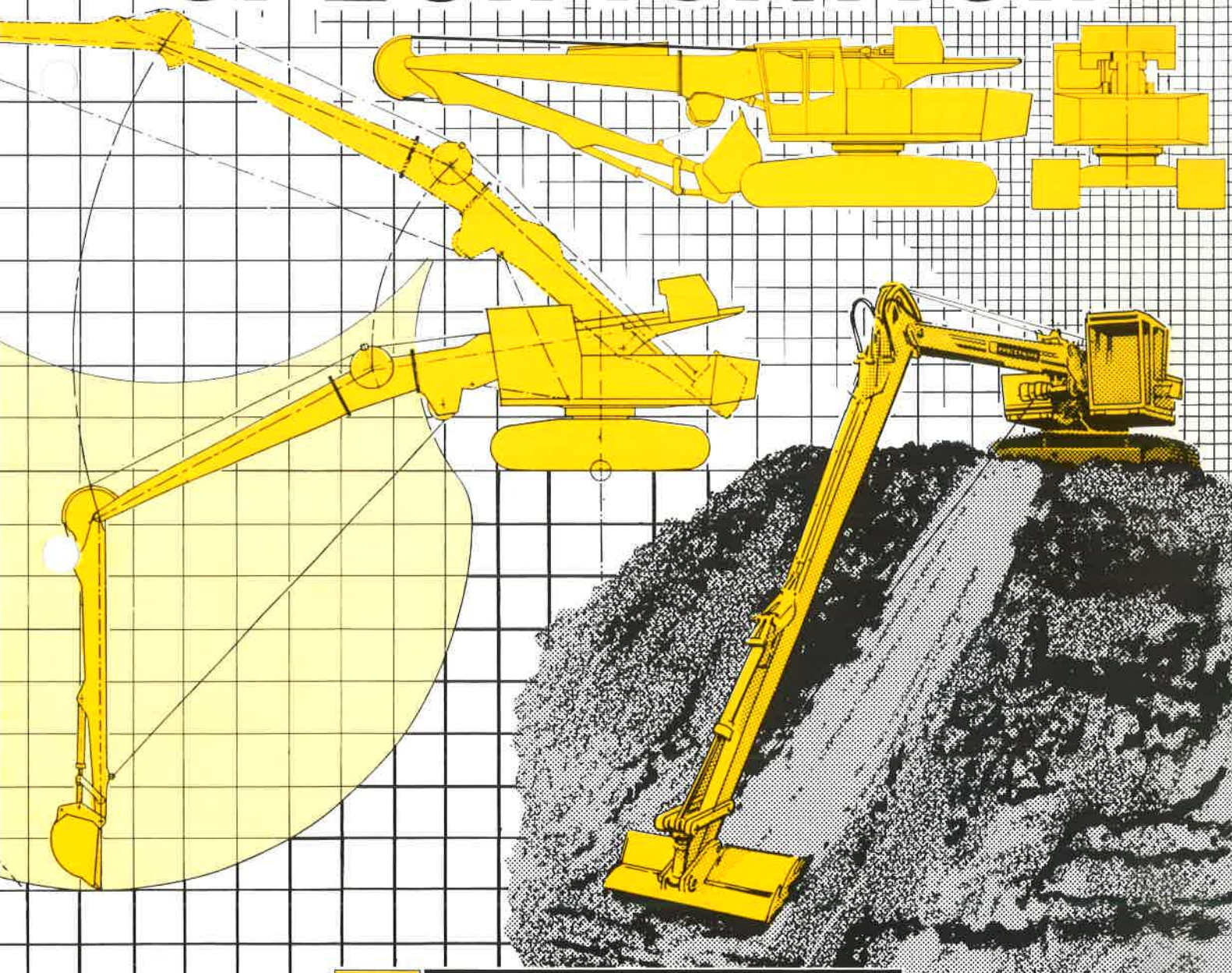


# VC

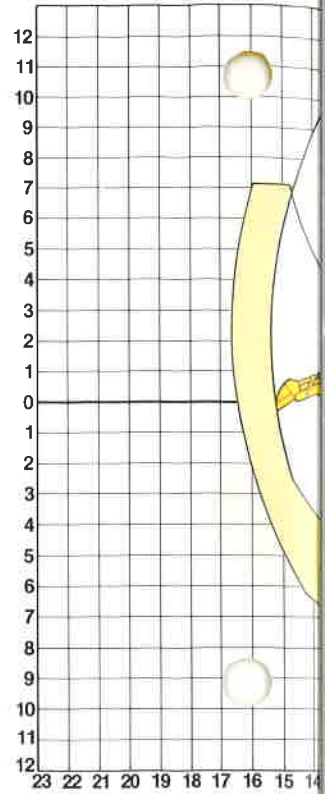
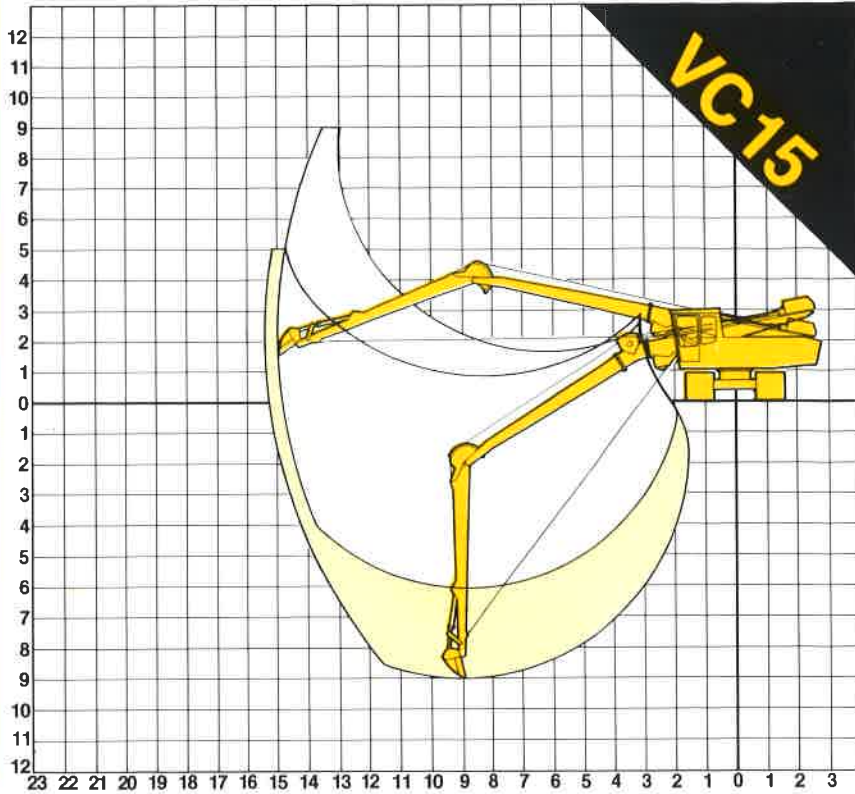
## SERIES

# TECHNICAL SPECIFICATION



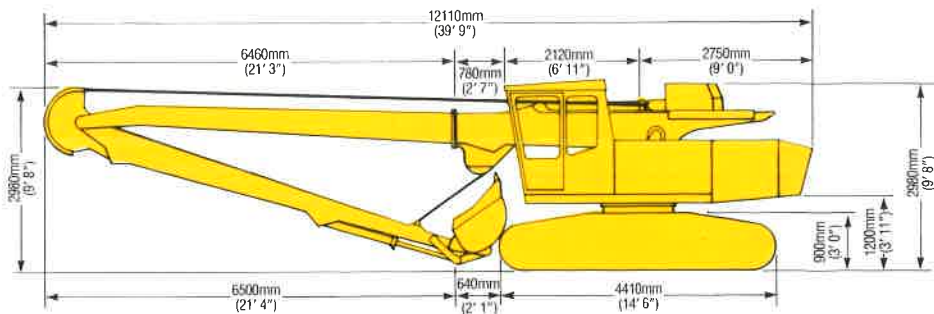
# PRIESTMAN

# WORKING RANGE

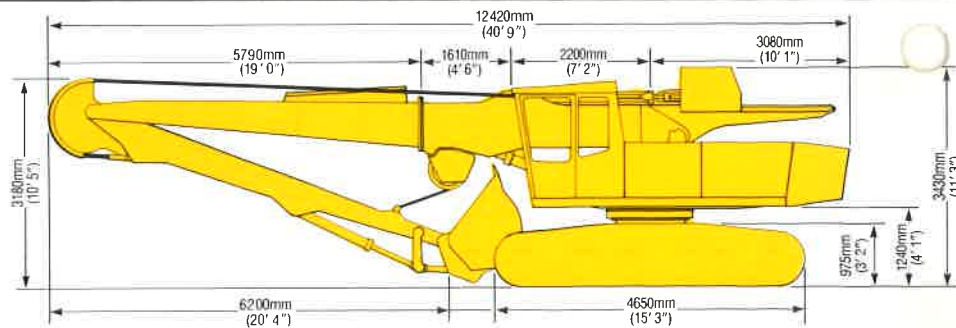


# DIMENSIONS

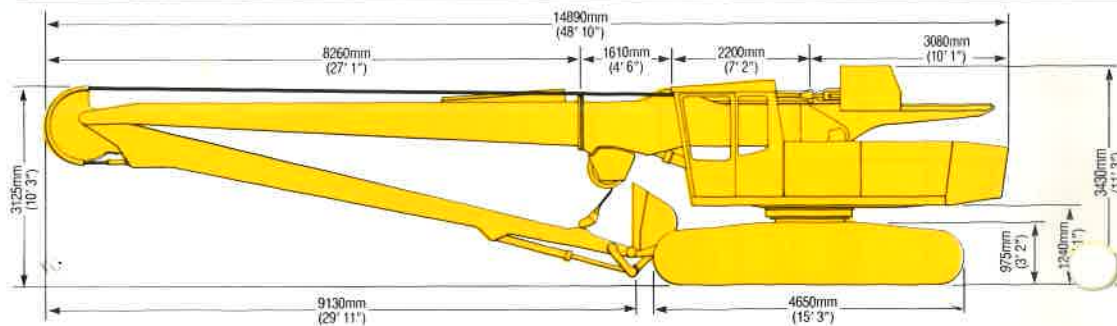
VC15

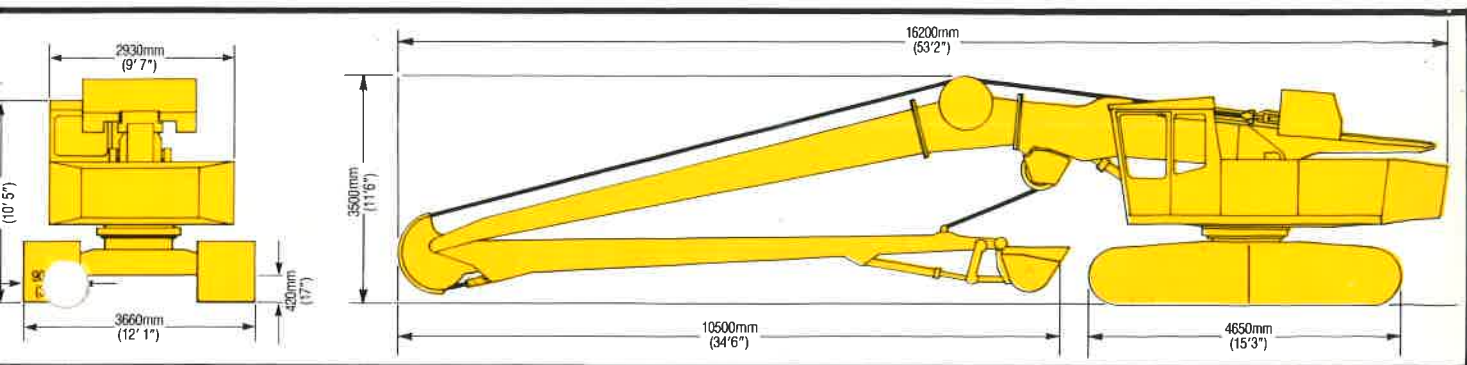
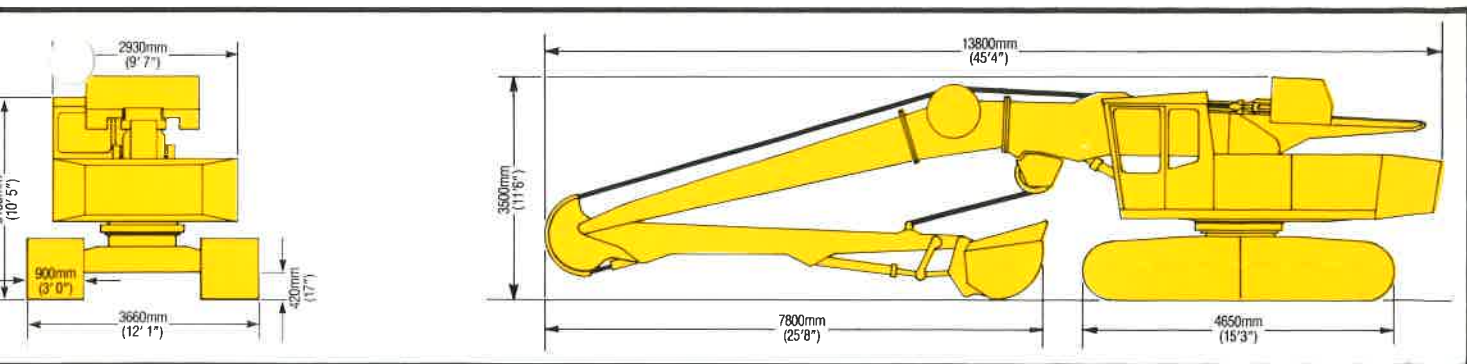
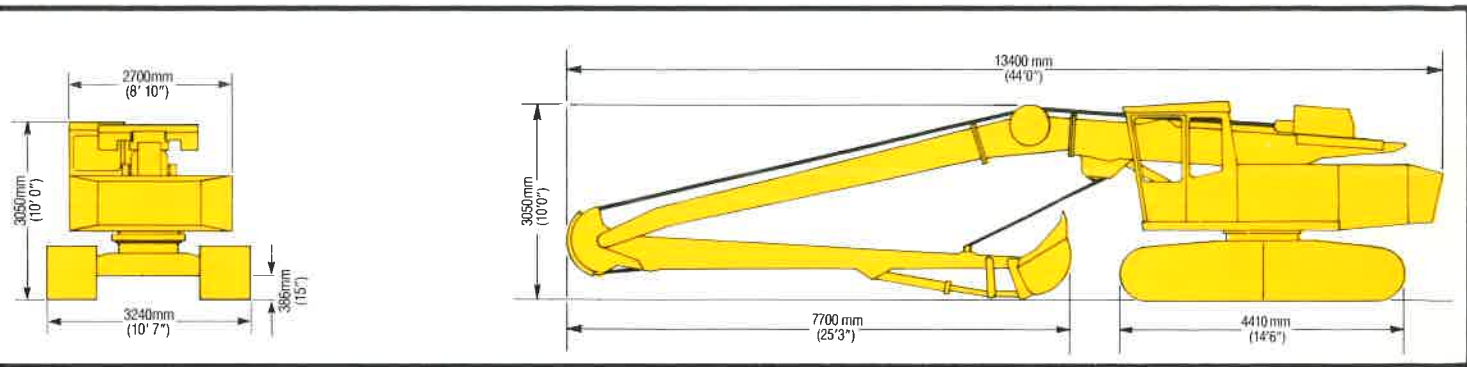
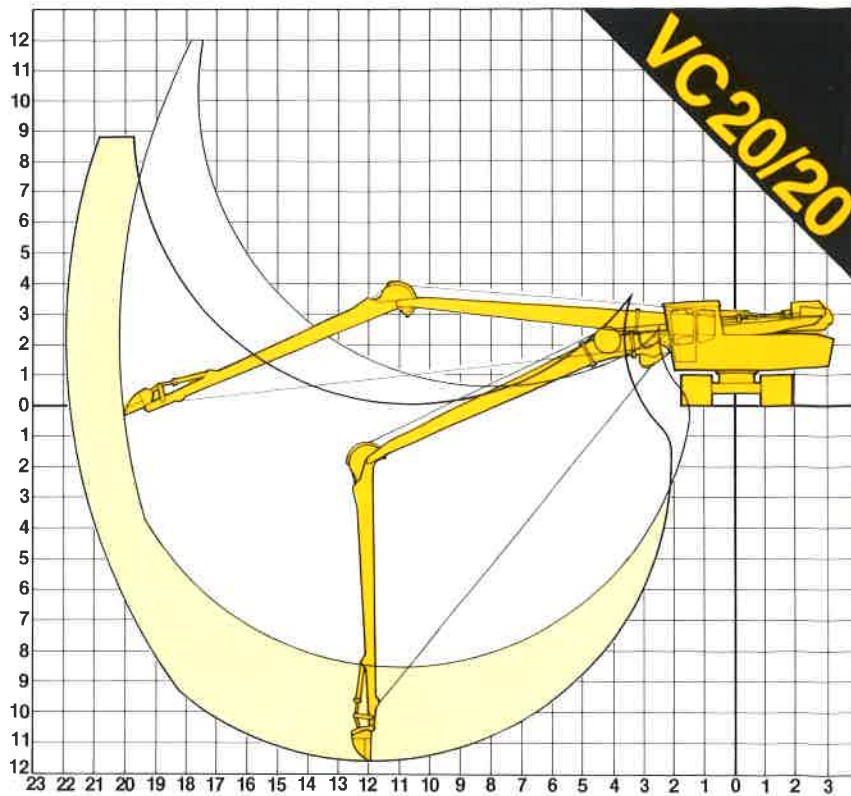
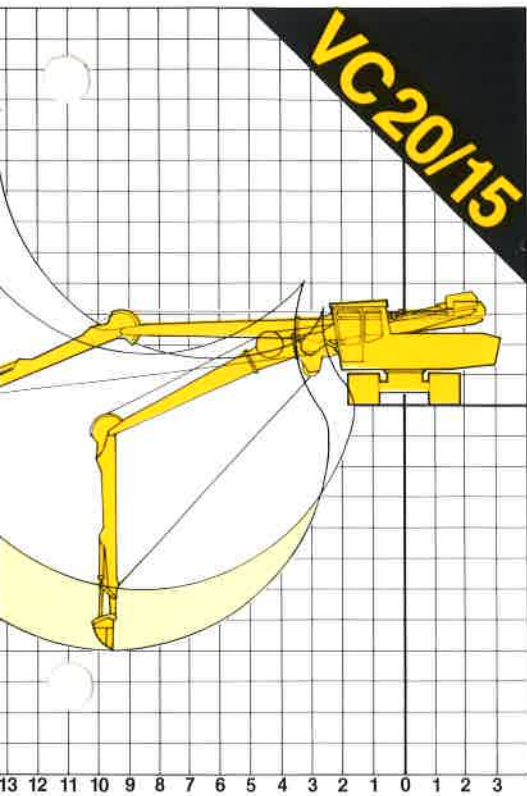


VC20/15



VC20/20





# SPECIFICATION

	VC15	VC20/15	VC20/20
MACHINE WEIGHT (900mm Plates)	20.75 tonne	20.42 ton	28.75 tonne
MAX OUTREACH (Std Boom)	15.0m	50'0"	15.4m
DIGGING DEPTH (Std Boom)	6.0m	20'0"	5.9m
DIGGING DEPTH (Cranked Boom)	9.0m	30'0"	8.0m
DISCHARGE HEIGHT (Std Boom)	9.0m	30'0"	9.6m
DISCHARGE HEIGHT (Cranked Boom)	5.0m	16'6"	7.0m
SUPERSTRUCTURE WIDTH	2700mm	8'10"	2930mm
TRANSIT HEIGHT OF MACHINE	3050mm	10'0"	3430mm
TAIL RADIUS	2750mm	9'0"	3080mm
CRAWLER LENGTH	4410mm	14'6"	4650mm
CRAWLER WIDTH (900mm Plates)	3240mm	10'7"	3660mm
GROUND BEARING PRESSURE	0.30kg/cm <sup>2</sup>	4.27lbs/in <sup>2</sup>	0.38kg/cm <sup>2</sup>
DIESEL ENGINE	82kW@2100rpm	110bhp	100kW@2100rpm
HYDRAULIC PUMP	2x103 litre/min	22.5gpm	2x145 litre/min
HYDRAULIC PRESSURE (MAX)	206 bar	3000 psi	276 bar
PILOT CONTROLS – HYDRAULICS	34 bar	500 psi	34 bar
FUEL CAPACITY	340 litres	75 galls	490 litres
HYDRAULIC OIL CAPACITY	440 litres	97 galls	460 litres
TRAVEL SPEED	0-2.8 kph	1.8 mph	0-3.0 kph
SWING SPEED	5.0 rpm	-	5.1 rpm
BUCKET LINE SPEED	47.0 m/min	154 fpm	48.0 m/min
BUCKET LINE PULL	3.7 tonnes	3.6 ton	7.3 tonnes
<b>BUCKET SIZE AT MAX OUTREACH:-</b>			
SILT	700 litre	0.875 cu yd	1500 litre
EXCAVATING	600 litre	0.750 cu yd	1300 litre
WEEDMOWER	4.0m wide	13 foot	5.0m wide
MAX LOAD (Bucket & Contents) AT FULL OUTREACH	1.4 tonnes	1.38 ton	2.5 tonnes

Priestman policy is one of continuous improvement and the company reserves the right to change specifications at any time without prior notice.  
All data given in this leaflet are subject to production variations. Dimensions and weights are approximate only.  
For further information contact Priestman Limited.



# PRIESTMAN

PRIESTMAN LIMITED Hedon Road, Hull, North Humberside, England HU9 5PA Tel: Hull (0482) 75111 Telex: 592120 PBLTD G Fax: (0482) 702065